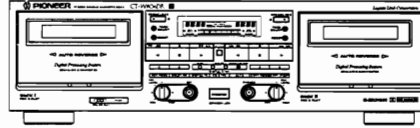


Service Manual

PIONEER
The Art of Entertainment



ORDER NO.
RRV1786

STEREO DOUBLE CASSETTE DECK

CT-W806DR

CT-07D

THIS MANUAL IS APPLICABLE TO THE FOLLOWING MODEL(S) AND TYPE(S).

Type	Model		Power Requirement	The voltage can be converted by the following method.
	CT-W806DR	CT-07D		
HYXJ	○	—	AC220-230V	_____
HVXJ	○	—	AC230-240V	_____
SDXJ	○	—	AC110V/120-127V/220V/230-240V	With the voltage selector
KUXJ/CA	—	○	AC120V	_____

CONTENTS

1. SAFETY INFORMATION	2	7. GENERAL INFORMATION	44
2. EXPLODED VIEWS AND PARTS LIST	3	7.1 PARTS	44
3. SCHEMATIC DIAGRAM	10	7.1.1 IC	44
4. PCB CONNECTION DIAGRAM	22	7.1.2 DISPLAY	49
5. PCB PARTS LIST	34	7.2 TEST MODE	50
6. ADJUSTMENT	40	7.3 BLOCK DIAGRAM	53
		8. PANEL FACILITIES AND SPECIFICATIONS	54

PIONEER ELECTRONIC CORPORATION 4-1, Meguro 1-Chome, Meguro-ku, Tokyo 153, Japan

PIONEER ELECTRONICS SERVICE, INC. P.O. Box 1760, Long Beach, CA 90801-1760, U.S.A.

PIONEER ELECTRONIC (EUROPE) N.V. Haven 1087, Keetberglaan 1, 9120 Melsele, Belgium

PIONEER ELECTRONICS ASIACENTRE PTE. LTD. 501 Orchard Road, #10-00 Lane Crawford Place, Singapore 0923

© **PIONEER ELECTRONIC CORPORATION** 1997

T-KZR APR. 1997 Printed in Belgium

1. SAFETY INFORMATION

This service manual is intended for qualified service technicians; it is not meant for the casual do-it-yourselfer. Qualified technicians have the necessary test equipment and tools, and have been trained to properly and safely repair complex products such as those covered by this manual. Improperly performed repairs can adversely affect the safety and reliability of the product and may void the warranty. If you are not qualified to perform the repair of this product properly and safely, you should not risk trying to do so and refer the repair to a qualified service technician.

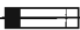
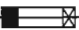
WARNING

Lead in solder used in this product is listed by the California Health and Welfare agency as a known reproductive toxicant which may cause birth defects or other reproductive harm (California Health & Safety Code, Section 25249.5).

When servicing or handling circuit boards and other components which contain lead in solder, avoid unprotected skin contact with the solder. Also, when soldering do not inhale any smoke or fumes produced.

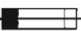
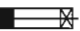
NOTICE

(FOR CANADIAN MODEL ONLY)

Fuse symbols  (fast operating fuse) and/or  (slow operating fuse) on PCB indicate that replacement parts must be of identical designation.

REMARQUE

(POUR MODÈLE CANADIEN SEULEMENT)

Les symboles de fusible  (fusible de type rapide) et/ou  (fusible de type lent) sur CCI indiquent que les pièces de remplacement doivent avoir la même désignation.

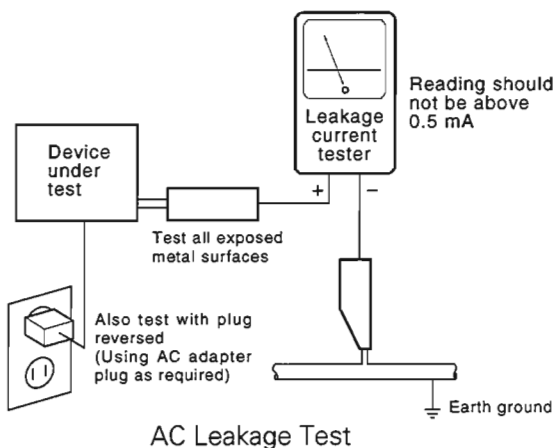
(FOR USA MODEL ONLY)

1. SAFETY PRECAUTIONS

The following check should be performed for the continued protection of the customer and service technician.

LEAKAGE CURRENT CHECK


Measure leakage current to a known earth ground (water pipe, conduit, etc.) by connecting a leakage current tester such as Simpson Model 229-2 or equivalent between the earth ground and all exposed metal parts of the appliance (input/output terminals, screwheads, metal overlays, control shaft, etc.). Plug the AC line cord of the appliance directly into a 120V AC 60 Hz outlet and turn the AC power switch on. Any current measured must not exceed 0.5 mA.



ANY MEASUREMENTS NOT WITHIN THE LIMITS OUTLINED ABOVE ARE INDICATIVE OF A POTENTIAL SHOCK HAZARD AND MUST BE CORRECTED BEFORE RETURNING THE APPLIANCE TO THE CUSTOMER.

2. PRODUCT SAFETY NOTICE

Many electrical and mechanical parts in the appliance have special safety related characteristics. These are often not evident from visual inspection nor the protection afforded by them necessarily can be obtained by using replacement components rated for voltage, wattage, etc. Replacement parts which have these special safety characteristics are identified in this Service Manual.

Electrical components having such features are identified by marking with a  on the schematics and on the parts list in this Service Manual.

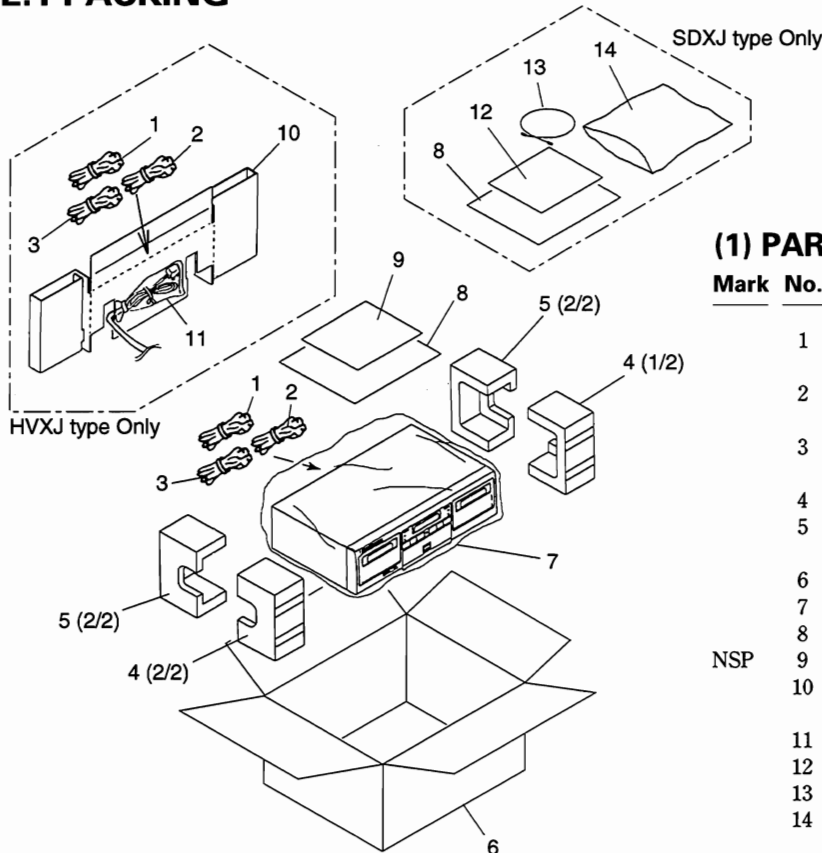
The use of a substitute replacement component which does not have the same safety characteristics as the PIONEER recommended replacement one, shown in the parts list in this Service Manual, may create shock, fire, or other hazards.

Product Safety is continuously under review and new instructions are issued from time to time. For the latest information, always consult the current PIONEER Service Manual. A subscription to, or additional copies of, PIONEER Service Manual may be obtained at a nominal charge from PIONEER.

2. EXPLODED VIEWS AND PARTS LIST

- NOTES : ● Parts marked by “NSP” are generally unavailable because they are not in our Master Spare Parts List.
 ● The \triangle mark found on some component parts indicates the importance of the safety factor of the part. Therefore, when replacing, be sure to use parts of identical designation.
 ● Screw adjacent to ∇ mark on the product are used for disassembly.

2.1 PACKING



(1) PARTS LIST

Mark	No.	Description	Parts No.
	1	CONNECTION CORD WITH PIN PLUGS (L=0.9 m)	RDE1036
	2	REMOTE CONTROL CORD (L=1.0 m)	PDE1267
	3	CD DECK SYNCHRO CONTROL CORD (L=0.9 m)	RDE1044
	4	PAD F	RHA1219
	5	PAD R	RHA1236
	6	PACKING CASE	See Contrast table (2)
	7	SEAT (750 × 600 × 0.5)	Z23-007
	8	OPERATING INSTRUCTIONS	See Contrast table (2)
NSP	9	WARRANTY CARD	See Contrast table (2)
	10	SPACER	See Contrast table (2)
	11	POLY. BAG	See Contrast table (2)
	12	CAUTION 220V LABEL	See Contrast table (2)
	13	OPTICAL CABLE	See Contrast table (2)
	14	POLY. BAG	See Contrast table (2)

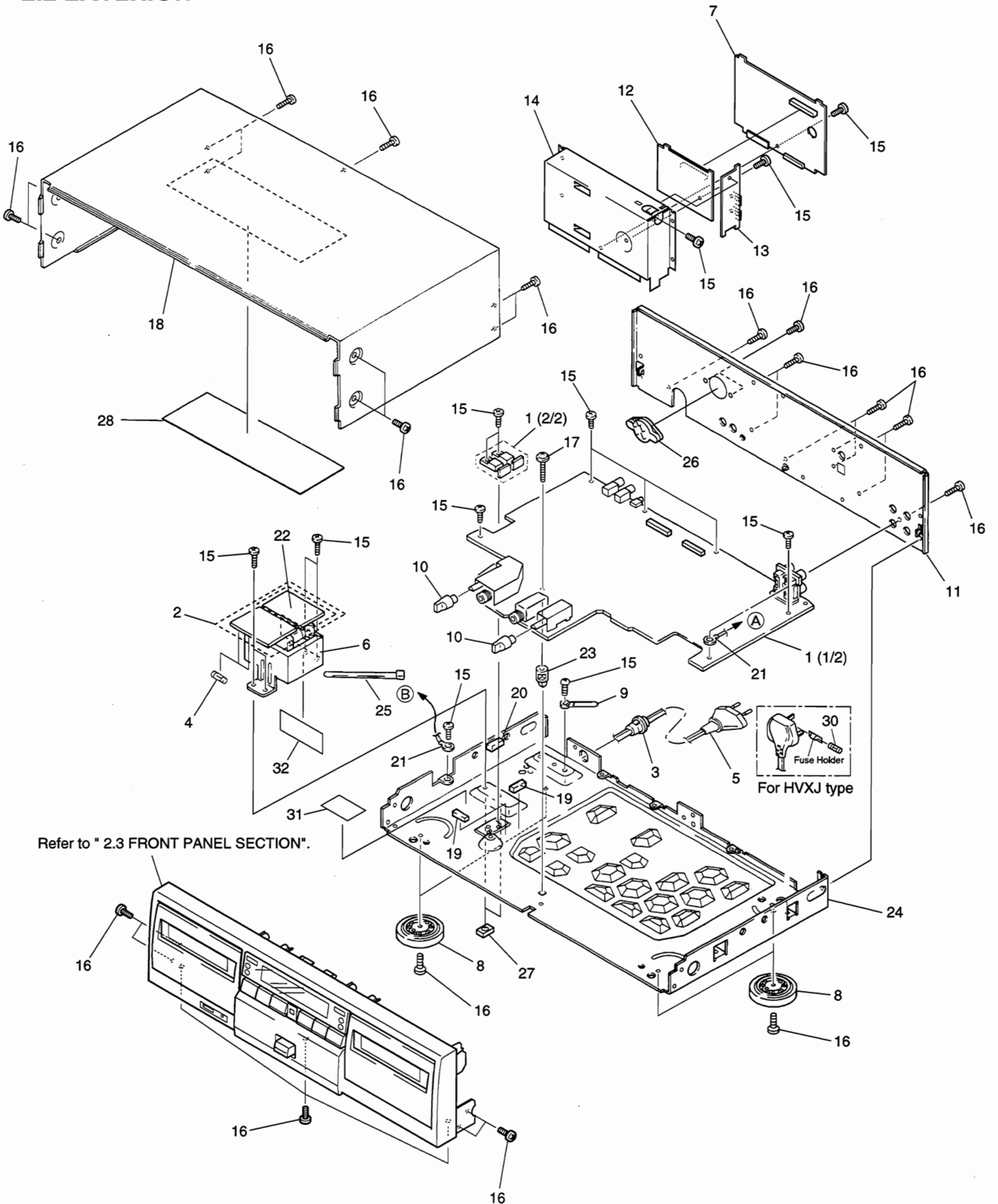
(2) CONTRAST TABLE

CT-W806DR/HYXJ, HVXJ, SDXJ and CT-07D/KUXJ/CA have the same construction except for the following:

Mark	No.	Description	Part No.				Remarks
			CT-W806DR			CT-07D	
			HYXJ	HVXJ	SDXJ	KUXJ/CA	
NSP	6	Packing Case	RHG1806	RHG1824	RHG1821	RHG1805	
	8	Operating Instructions (English/Spanish)	RRE1152	RRE1152	RRE1152	Not used	
	8	Operating Instructions (French/German/Italian/Dutch/Swedish/Portuguese)	RRD1193	Not used	Not used	Not used	
	8	Operating Instructions (Chinese)	Not used	Not used	RRD1194	Not used	
	8	Operating Instructions (English/French)	Not used	Not used	Not used	RRE1150	
	9	Warranty Card	ARY7009	ARY7009	Not used	ARY7007	
	10	Spacer	Not used	RHC1071	Not used	Not used	
	11	Poly. Bag (115 × 270 × 0.05)	Not used	Z21-013	Not used	Not used	
	12	Caution 220V Label	Not used	Not used	ARR1003	Not used	
	14	Poly. Bag (230 × 340 × 0.03)	Not used	Not used	RKX1034	Not used	

CT-W806DR, CT-07D

2.2 EXTERIOR



(1) PARTS LIST

Mark	No.	Description	Parts No.	Mark	No.	Description	Parts No.
	1	MAIN UNIT	See Contrast table (2)	NSP	21	EARTH LEAD WIRE	DE010VF0
NSP	2	TRN 2 UNIT	See Contrast table (2)	NSP	22	TRN 1 UNIT	See Contrast table (2)
△	3	STRAIN RELIEF	See Contrast table (2)	NSP	23	PCB SPACER	PNY-404
△	4	FUSE (FU1001, FU1002)	See Contrast table (2)	NSP	24	MAIN CHASSIS	RNB1091
△	5	AC POWER CORD	See Contrast table (2)	NSP	25	BINDER	ZCA-T18S
△	6	POWER TRANSFORMER	See Contrast table (2)	△	26	VOLTAGE SELECTOR	See Contrast table (2)
	7	CORE UNIT	RWX1137		27	DISC GUARD	REC1305
	8	INSULATOR	PNW1912		28	65 LABEL	See Contrast table (2)
	9	CORD HOLDER	RNH-184		29	
	10	HEADPHONE KNOB	VNK1262	△	30	FUSE (T5A)	See Contrast table (2)
	11	REAR PANEL	See Contrast table (2)	NSP	31	FUSE CAUTION LABEL	See Contrast table (2)
	12	DIR UNIT	See Contrast table (2)	NSP	32	PLATE	See Contrast table (2)
	13	JACK UNIT	See Contrast table (2)				
NSP	14	SHIELD CASE	RNE1904				
	15	SCREW	BBZ30P060FMC				
	16	SCREW	BBZ30P080FZK				
	17	SCREW	IBZ30P150FCC				
	18	BONNET	REA1254				
NSP	19	SPACER (CR)	REB1267				
	20	SPACER	REB1171				

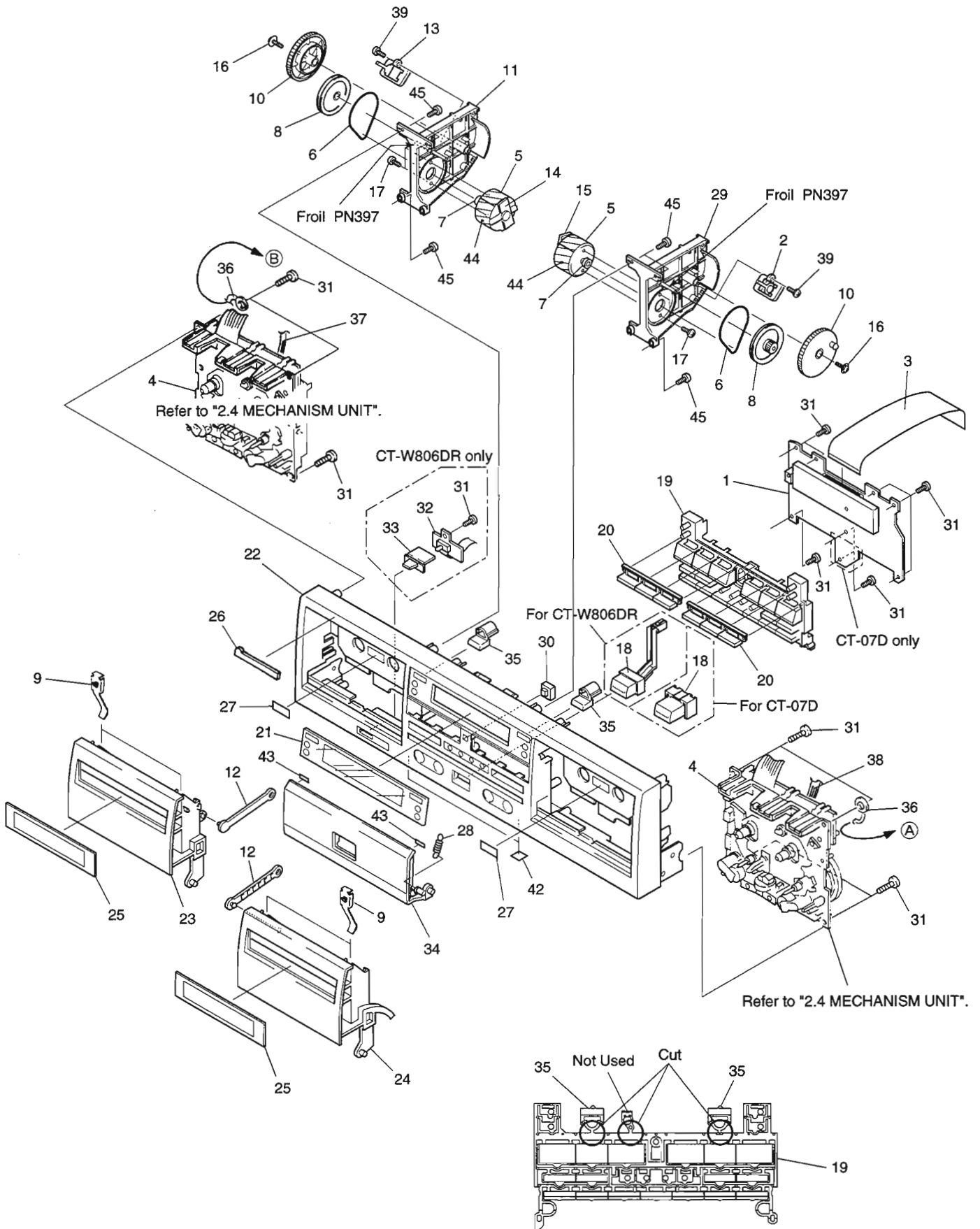
(2) CONTRAST TABLE

CT-W806DR/HYXJ, HVXJ, SDXJ and CT-07D/KUXJ/CA have the same construction except for the following:

Mark	No.	Description	Part No.				Remarks
			CT-W806DR			CT-07D	
			HYXJ	HVXJ	SDXJ	KUXJ/CA	
NSP	1	MAIN Unit	RWZ4091	RWZ4089	RWZ4095	RWZ4101	
	2	TRN 2 Unit	RWZ4093	RWZ4093	RWZ4093	RWZ4099	
	3	Strain Relief	CM-22B	CM-22B	CM-22B	CM-22C	
	△	4	Fuse (FU1001, FU1002)	REK1024 (T1.6AL250V)	REK1024 (T1.6AL250V)	REK1024 (T1.6AL250V)	
△	5	AC Power Cord	PDG1058	PDG1055	ADG1157	PDG1015	
△	30	Fuse (T5A) (For AC Power Cord)	Not used	PEK1003	Not used	Not used	
△	6	Power Transformer (AC220-230V/230-240V)	RTT1338	RTT1338	Not used	Not used	
△	6	Power Transformer (AC110V/120-127V/220V/230-240V)	Not used	Not used	RTT1339	Not used	
△	6	Power Transformer (AC120V)	Not used	Not used	Not used	RTT1337	
	11	Rear Panel	RNA2151	RNA2165	RNA2161	RNA2150	
	12	DIR Unit	RWX1134	RWX1133	RWX1134	RWX1133	
	13	JACK Unit	RWX1136	RWX1135	RWX1136	RWX1135	
NSP	22	TRN 1 Unit	Not used	Not used	RWZ4096	Not used	
△	26	Voltage Selector	Not used	Not used	RSB1022	Not used	
	28	65 Label	Not used	Not used	Not used	ORW1069	
NSP	31	Fuse Caution Label	Not used	Not used	Not used	RRW-111	
NSP	32	Plate	Not used	Not used	DEC1158	Not used	

CT-W806DR, CT-07D

2.3 FRONT PANEL SECTION



(1) PARTS LIST

Mark	No.	Description	Parts No.	Mark	No.	Description	Parts No.
NSP	1	SUBB UNIT	See Contrast table (2)		26	NAME PLATE	PAM1608
	2	POC2 UNIT	RWZ4122		27	REMAIN DISPLAY PAPER	REE-113
	3	LEAD CARD 35P	RDD1285		28	SEALING SPRING	RBH1439
	4	MECHANISM UNIT	RYM1262		29	LOADING BASE ASSY 2	RXA1750
	5	DC MOTOR/0.75W	PXM1010		30	INDICATOR LENS	RAC2157
	6	RUBBER BELT	PEB1127		31	SCREW	BBZ30P080FZK
	7	MOTOR PULLEY	PNW1634	NSP	32	TIMER UNIT	See Contrast table (2)
	8	PULLEY GEAR	RNK1517		33	SLIDE KNOB	See Contrast table (2)
	9	HALF PRESSURE SPRING	RBK1004		34	SEALING PANEL	See Contrast table (2)
	10	ARM GEAR	RNK2242		35	EJECT BUTTON	REA1267
	11	LOADING BASE ASSY 1	RXA1741	NSP	36	EARTH LEAD WIRE	DE010VF0
	12	JOINT ARM	RNK2243		37	CONNECTOR ASSY 5P	RKP1676
NSP	13	POC1 UNIT	RWZ4121		38	CONNECTOR ASSY 5P	RKP1677
NSP	14	MOTOR 1 UNIT	RWZ4207		39	SCREW	BBZ26P060FMC
NSP	15	MOTOR 2 UNIT	RWZ4208		40	
	16	SCREW	IPZ20P080FMC		41	
	17	SCREW	BMZ26P040FMC		42	CUSHION	PDE-049
	18	POWER BUTTON	See Contrast table (2)		43	CUSHION	RED1040
	19	FUNCTION BUTTON A	RAC2170	NSP	44	SHIELD CORE	RNE1928
	20	FUNCTION BUTTON B	RAC2171		45	SCREW	BBZ30P100FMC
	21	FL LENS	See Contrast table (2)				
	22	FRONT PANEL	See Contrast table (2)				
	23	DOOR POCKET L	See Contrast table (2)				
	24	DOOR POCKET R	See Contrast table (2)				
	25	DOOR LENS	RAH2782				

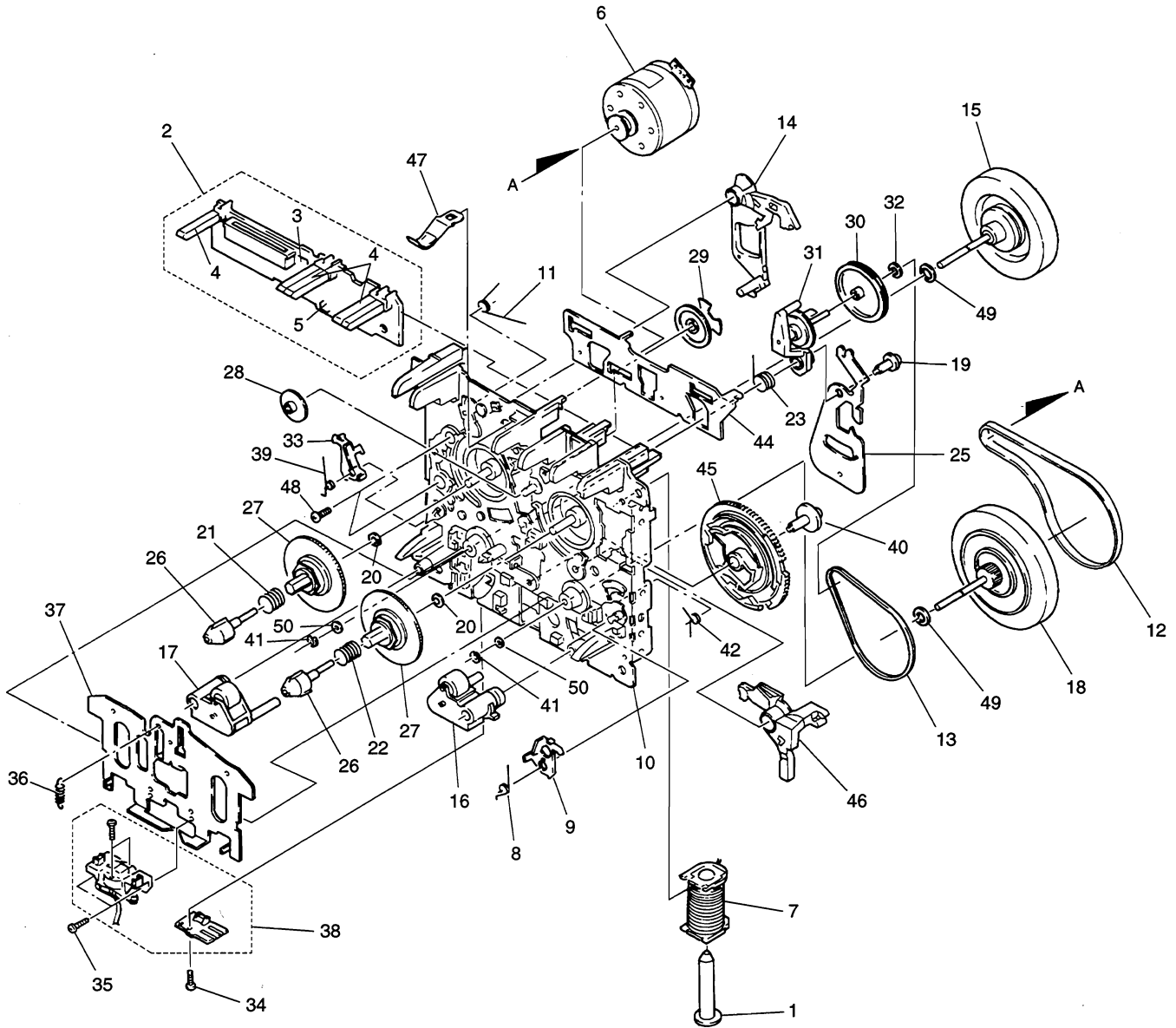
(2) CONTRAST TABLE

CT-W806DR/HYXJ, HVXJ, SDXJ and CT-07D/KUXJ/CA have the same construction except for the following:

Mark	No.	Description	Part No.				Remarks
			CT-W806DR			CT-07D	
			HYXJ	HVXJ	SDXJ	KUXJ/CA	
NSP	1	SUBB Unit	RWZ4092	RWZ4092	RWZ4092	RWZ4102	
	18	Power Button	RAC2156	RAC2156	RAC2156	RAC2179	
	21	FL Lens	RAH2810	RAH2810	RAH2809	RAH2809	
	22	Front Panel	RAH2794	RAH2794	RAH2794	RAH2796	
	23	Door Pocket L	RAH2792	RAH2792	RAH2792	RAH2797	
	24	Door Pocket R	RAH2793	RAH2793	RAH2793	RAH2798	
	32	TIMER Unit	RWZ4094	RWZ4094	RWZ4094	Not used	
	33	Slide Knob	RAC1713	RAC1713	RAC1713	Not used	
	34	Sealing Panel	RAH2795	RAH2795	RAH2795	RAH2799	

CT-W806DR, CT-07D

2.4 MECHANISM UNIT



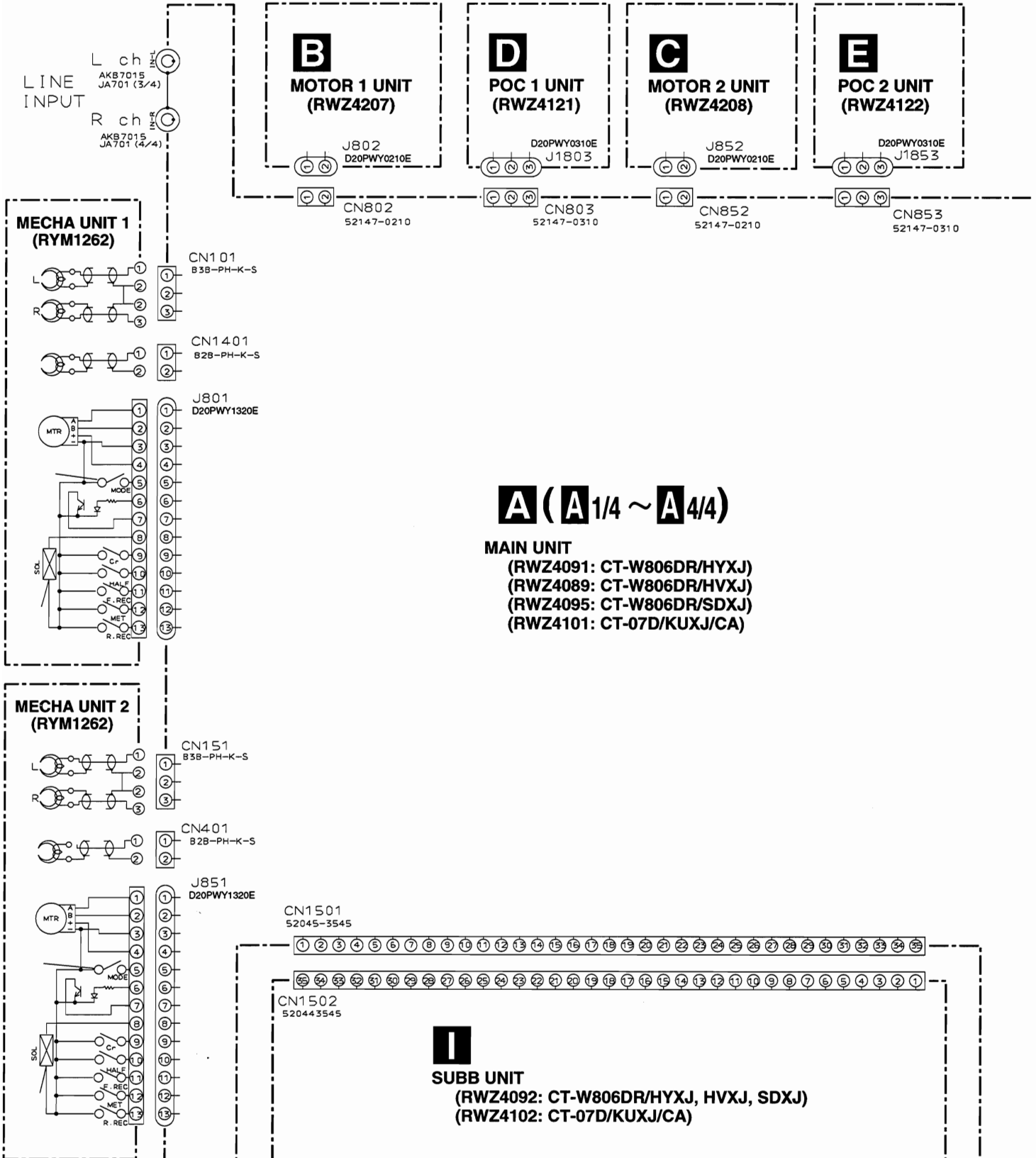
Mark No.	Description	Parts No.
1	PLUNGER	RLA1288
2	PCB CONTROL BLOCK	RXA1733
3	PUSH SWITCH	RSG1018
4	SPLF	RSN1023
5	PHOTO-TRANSISTOR	SPI33534FG
6	MTR MAIN BLOCK	RXM1075
7	SOLENOID BLOCK	RXP1021
8	SPRING INTERLOCK R	RBH1386
9	ARM INTERLOCK R	RNE1781
10	CHASSIS BASE BLOCK	RXA1626
11	SPRING BRAKE	RBH1387
12	MAIN BELT	REB1157
13	F/R BELT	REB1254
14	LEVER BRAKE	RNK2071
15	F/W ASSY	RXA1295
16	PINCH ROLLER BLOCK R	RXA1628
17	PINCH ROLLER BLOCK L	RXA1629
18	CLUTCH BLOCK ASSY	RXA1631
19	SCREW	RBA1120
20	WASHER	W41D065D025
21	SPRING REEL(L)	RBH1388
22	SPRING REEL(R)	RBH1389
23	CAM SPRING	RBH1393
24	
25	LEVER F/R	RNE1782
26	REEL FEATHER	RNK2072
27	REEL BASE	RNK2073
28	PLAY GEAR(A)	RNK2074
29	FF GEAR(A)	RNK2075
30	F/R PULLEY	RNK2076
31	CLUTCH BLOCK ASSY	RXA1632
32	WASHER	WA17D040D025
33	ARM INTERLOCK L	RNE1780
34	SCREW	PCZ20P040FMC
35	SCREW	PMZ20P060FMC
36	SPRING HB	RBH1390
37	HEAD BASE	RNE1783
38	PLATE HD BLOCK	RXA1683
39	SPRING INTERLOCK L	RBH1385
40	SCREW	RBA1121
41	STOP RING	YE15FUC
42	SPRING ARM PLAY	RBH1392
43	
44	PLATE SLIDE	RNE1785
45	CAM GEAR	RNK2078
46	ARM PLAY	RNK2079
47	SPRING CASSETTE	RNE1786
48	SCREW	BMZ26P040FZK
49	WASHER	WA26D045D025
50	WASHER	WA26D047D050

CT-W806DR, CT-07D

3. SCHEMATIC DIAGRAM

Note: When ordering service parts, be sure to refer to "EXPLODED VIEWS AND PARTS LIST" or "PCB PARTS LIST".

3.1 OVERALL SCHEMATIC DIAGRAM



A (A_{1/4} ~ A_{4/4})

MAIN UNIT

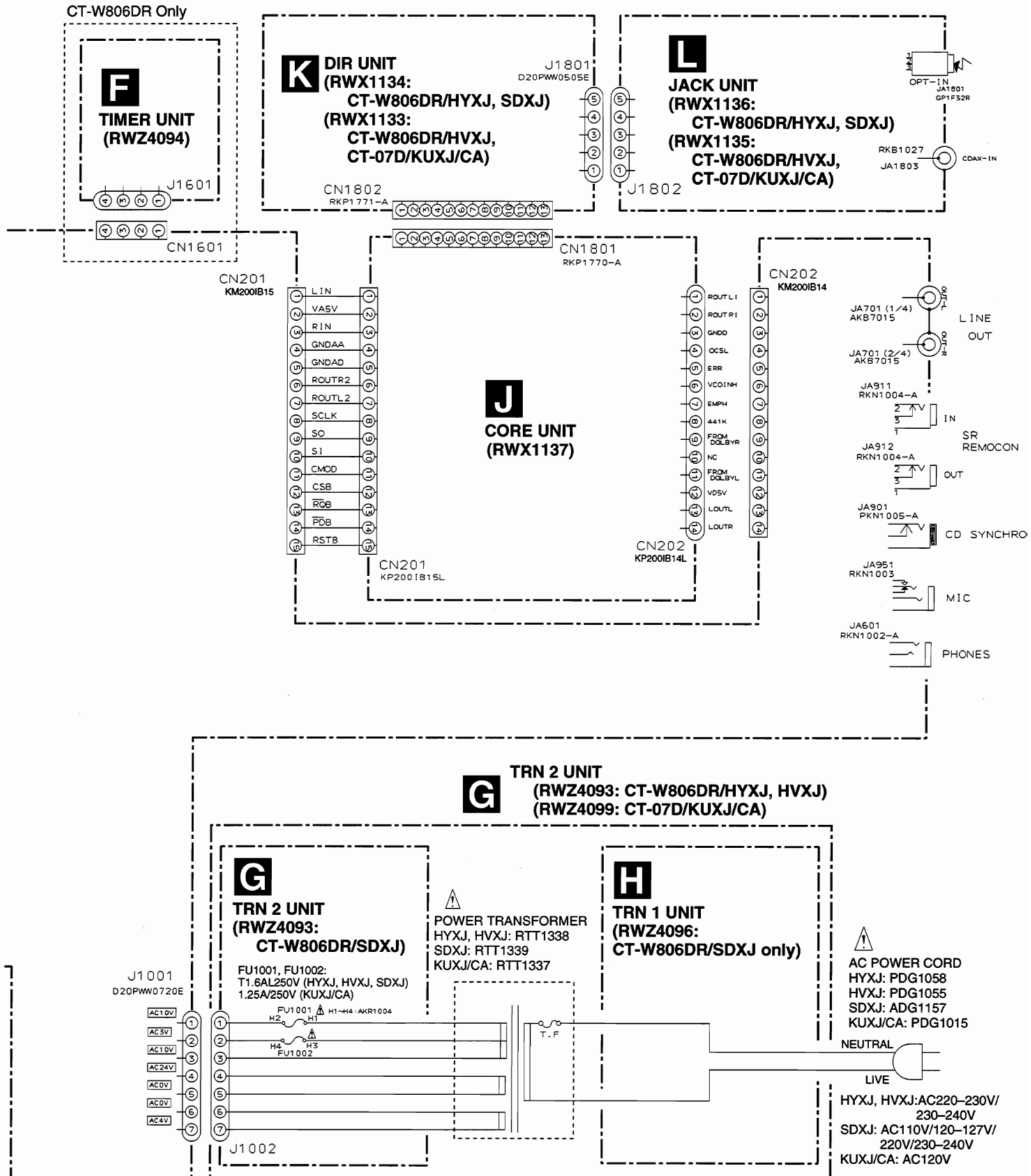
- (RWZ4091: CT-W806DR/HYXJ)
- (RWZ4089: CT-W806DR/HVXJ)
- (RWZ4095: CT-W806DR/SDXJ)
- (RWZ4101: CT-07D/KUXJ/CA)

I

SUBB UNIT

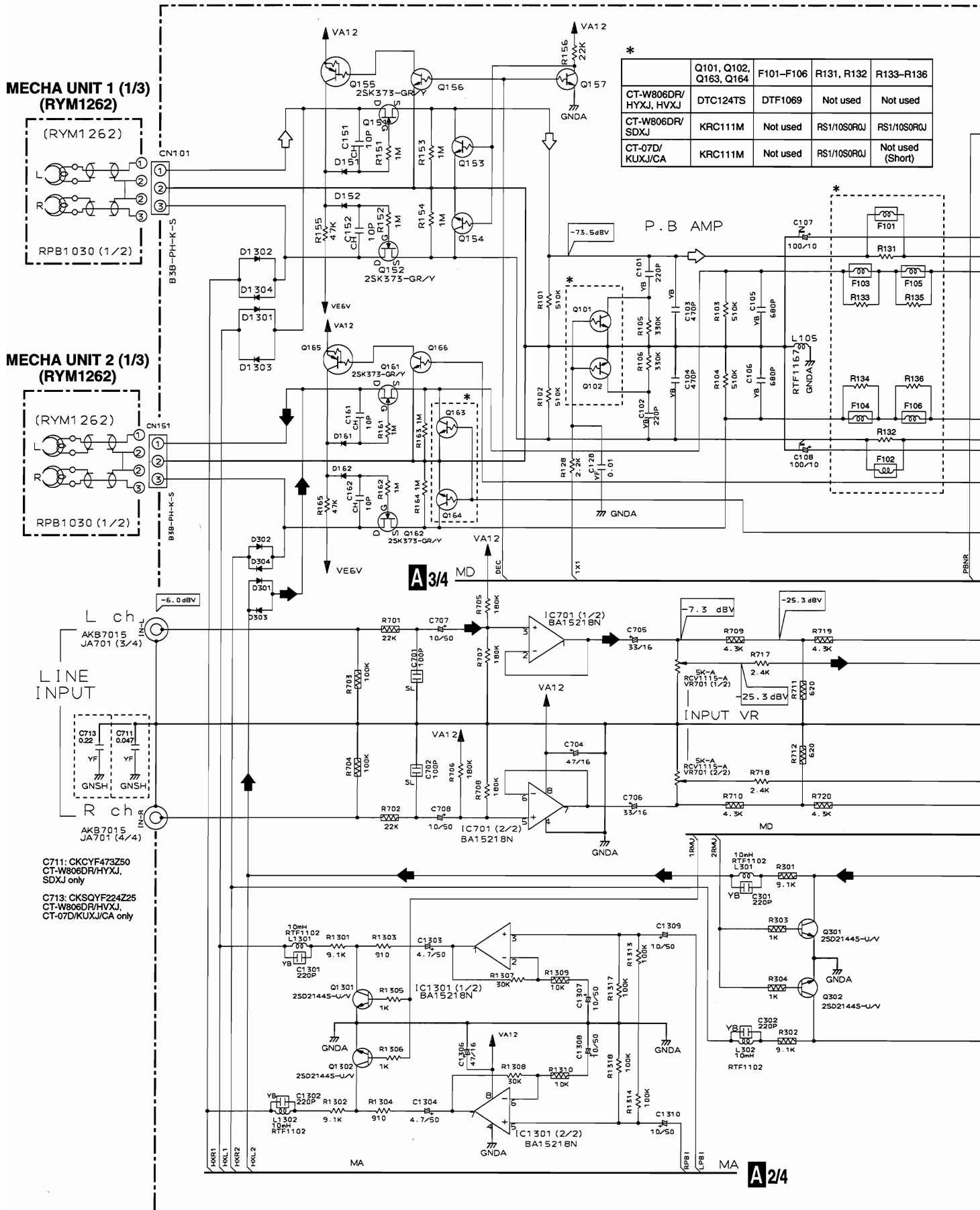
- (RWZ4092: CT-W806DR/HYXJ, HVXJ, SDXJ)
- (RWZ4102: CT-07D/KUXJ/CA)

CT-W806DR, CT-07D



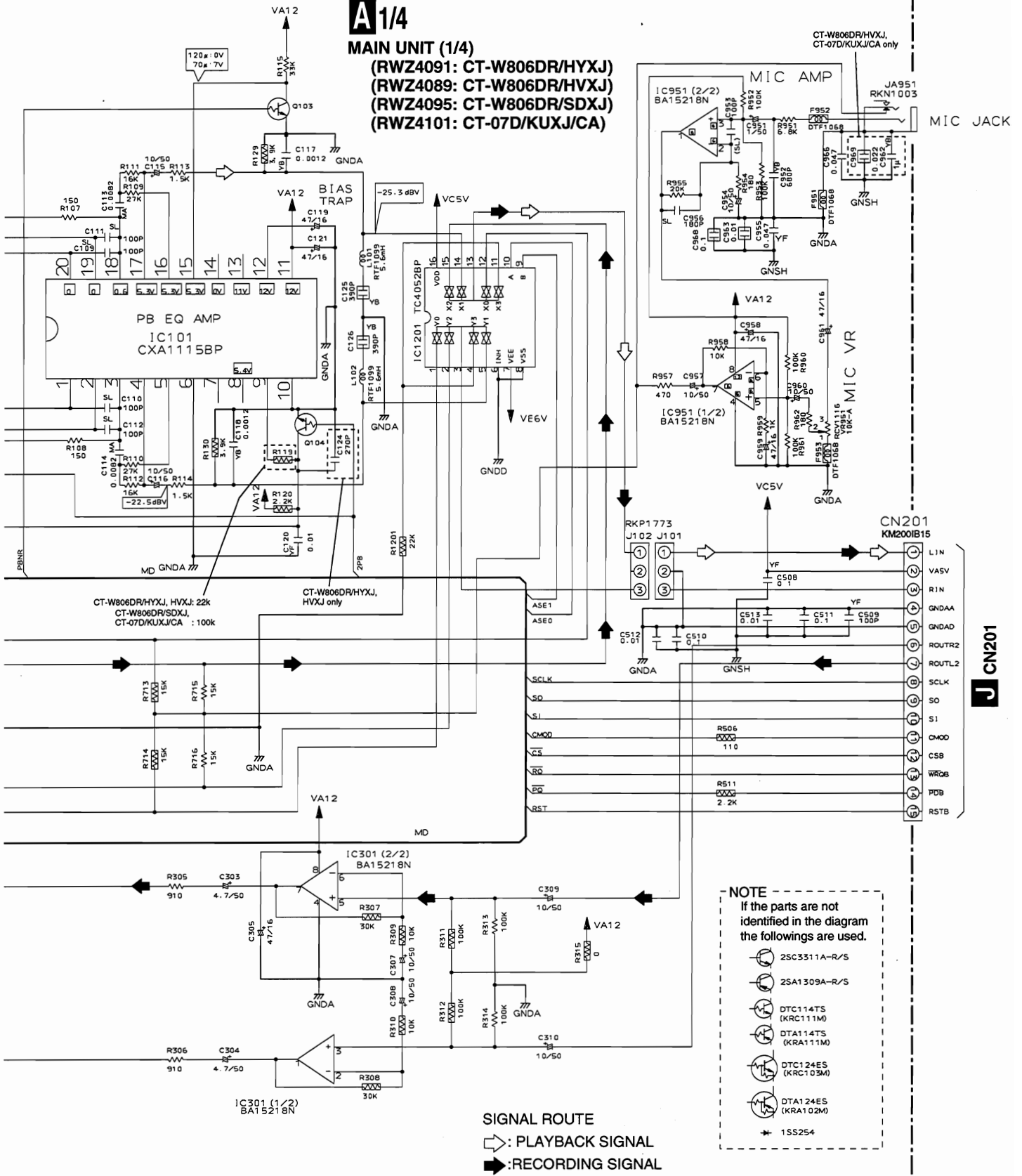
CT-W806DR, CT-07D

3.2 MAIN UNIT (1/4)



A 1/4

MAIN UNIT (1/4)
 (RWZ4091: CT-W806DR/HYXJ)
 (RWZ4089: CT-W806DR/HVXJ)
 (RWZ4095: CT-W806DR/SDXJ)
 (RWZ4101: CT-07D/KUXJ/CA)



CT-W806DR, CT-07D

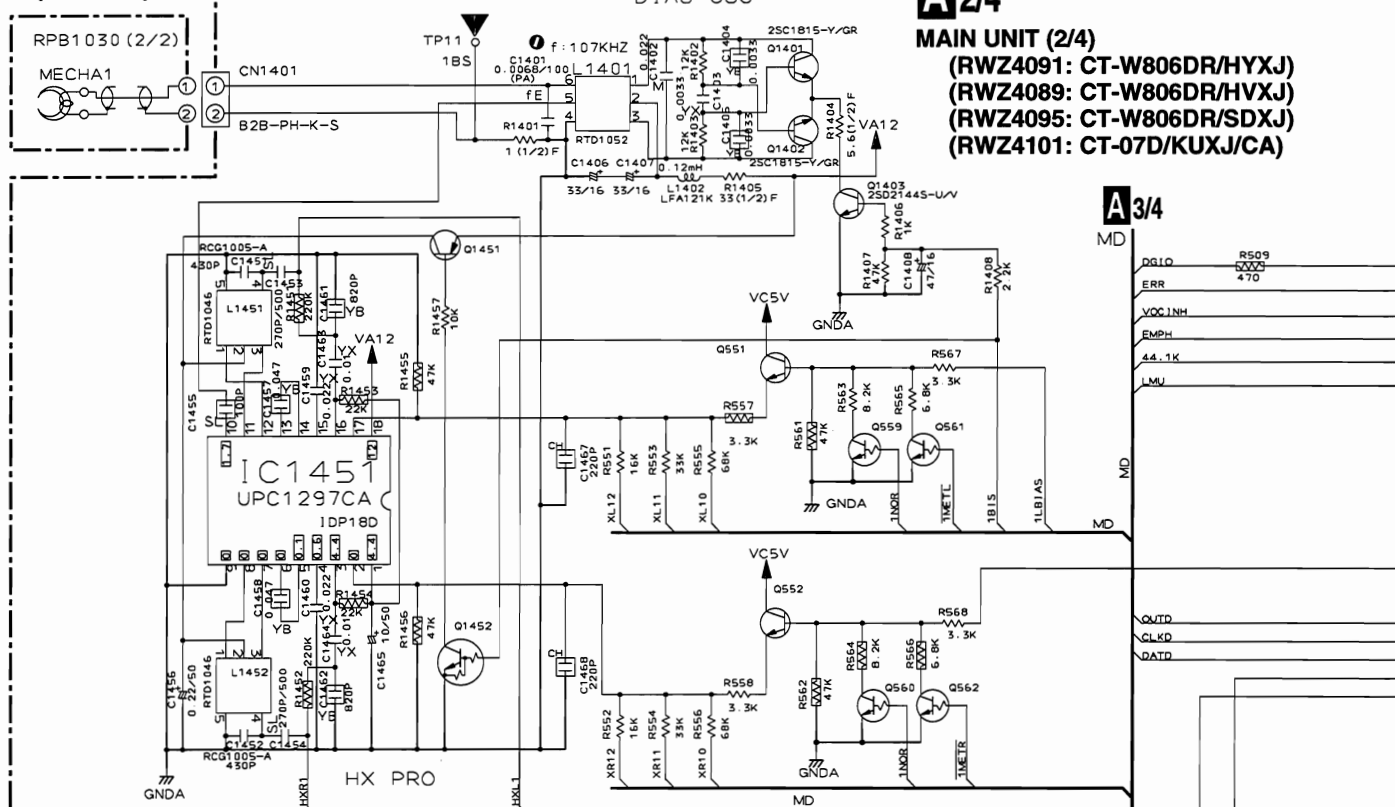
3.3 MAIN UNIT (2/4)

MECHA UNIT 1 (2/3)
(RYM1262)

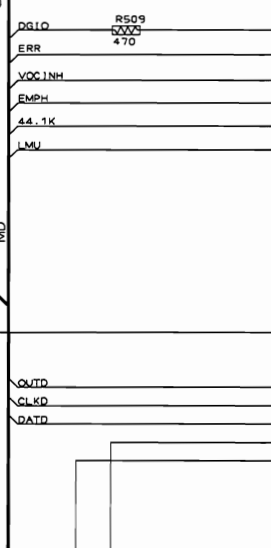
A 2/4

MAIN UNIT (2/4)

- (RWZ4091: CT-W806DR/HYXJ)
- (RWZ4089: CT-W806DR/HVXJ)
- (RWZ4095: CT-W806DR/SDXJ)
- (RWZ4101: CT-07D/KUXJ/CA)

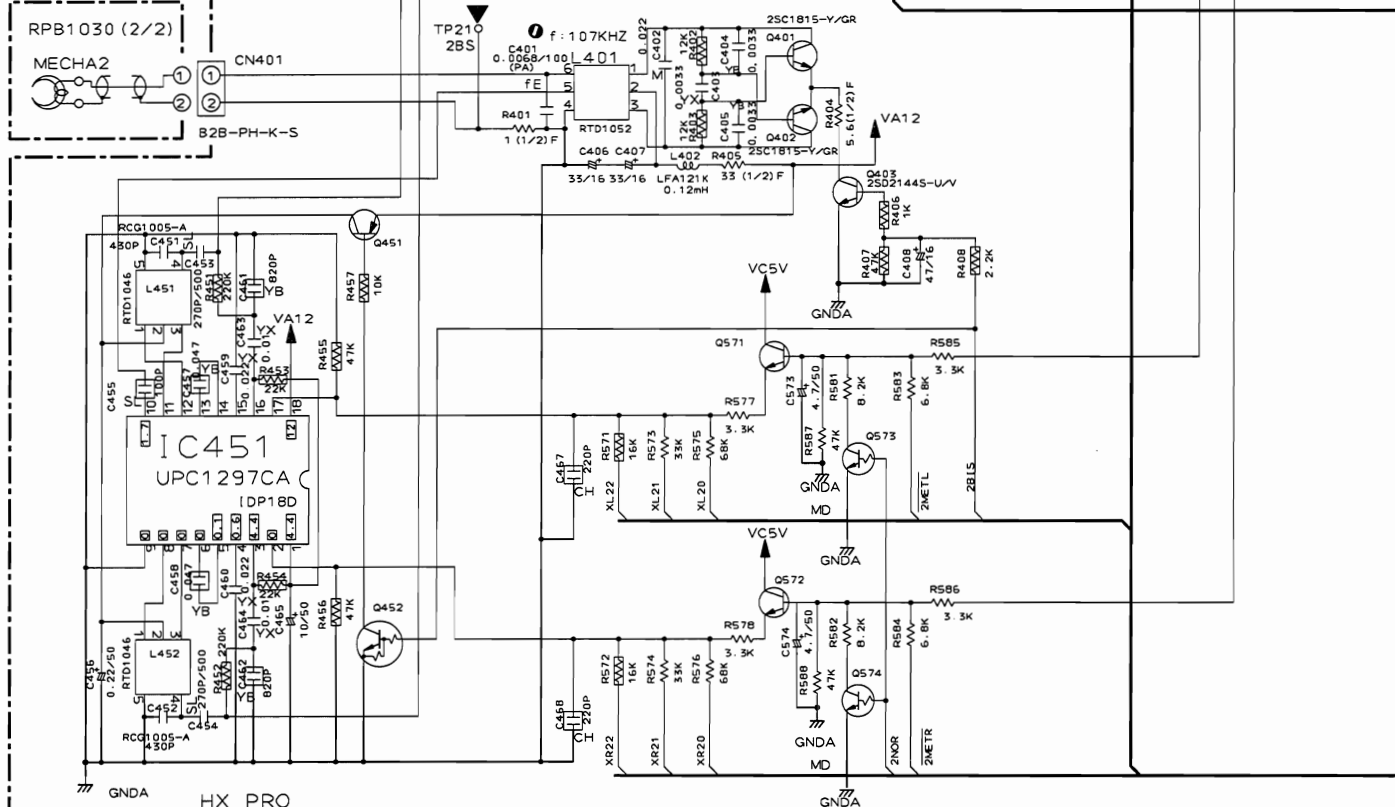


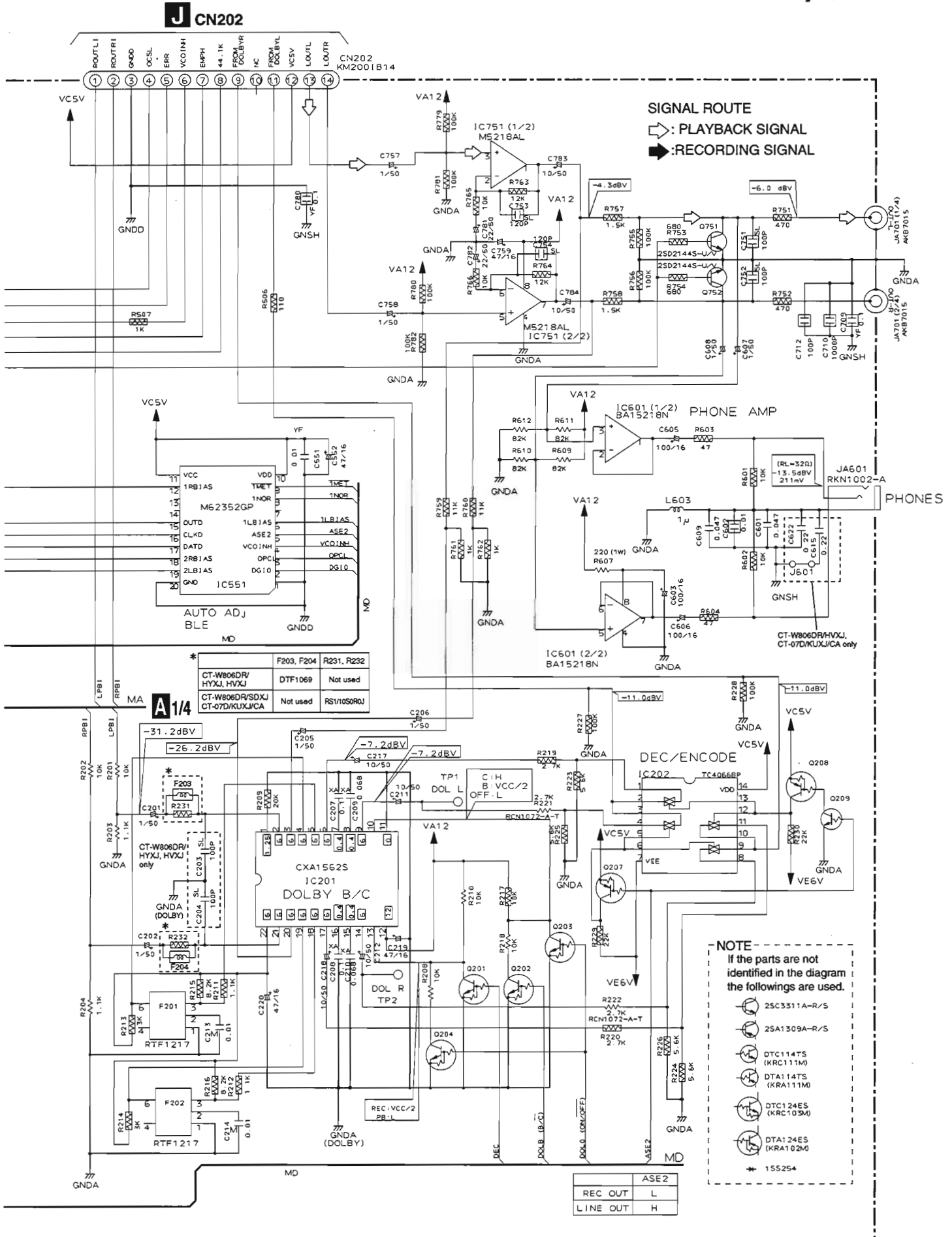
A 3/4



MECHA UNIT 2 (2/3)
(RYM1262)

BIAS OSC





J CN202

SIGNAL ROUTE
 ⇨: PLAYBACK SIGNAL
 ⇩: RECORDING SIGNAL

A 1/4

F203, F204	R231, R232
CT-W806DR/ HYXJ, HVXJ	DTF1069
CT-W806DR/SDXJ CT-07D/KUXJ/ICA	Not used
	RS11050R0J

NOTE
 If the parts are not identified in the diagram the followings are used.

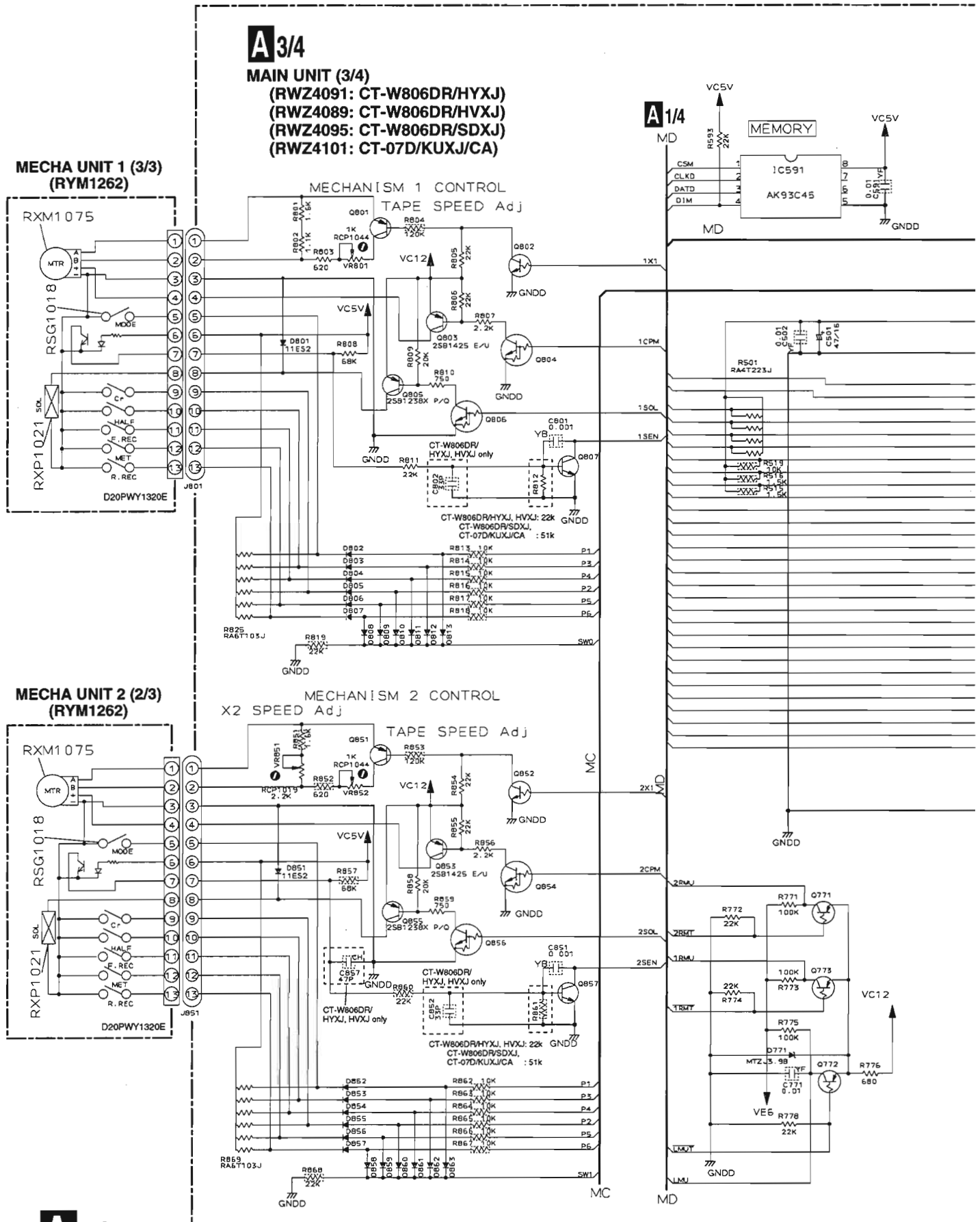
- ⊗ 25C331A-R/S
- ⊗ 25A1309A-R/S
- ⊗ DTC114TS (KRC111M)
- ⊗ DTA114TS (KRA111M)
- ⊗ DTC124ES (KRC103M)
- ⊗ DTA124ES (KRA102M)

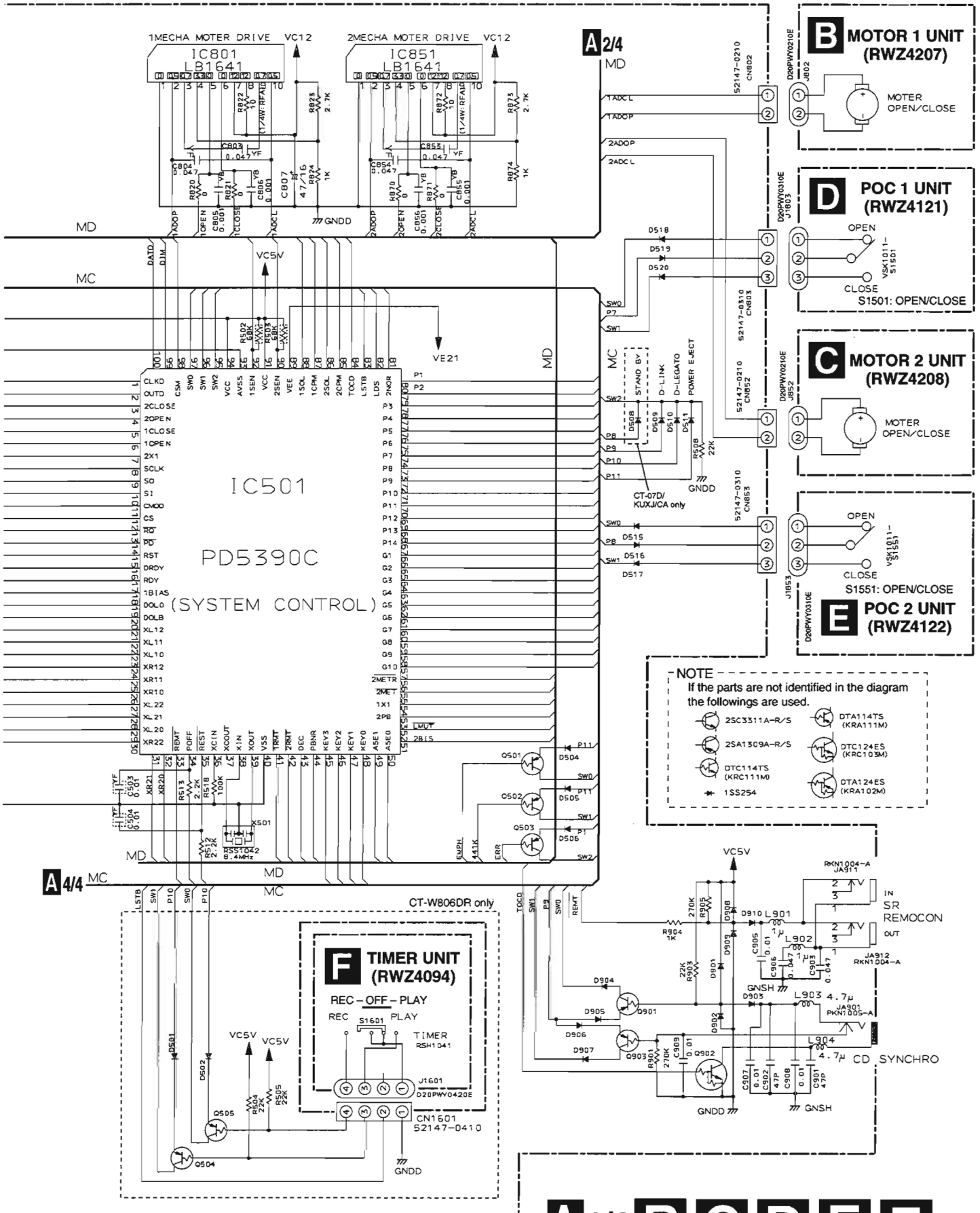
* 1S5254

	ASE2
REC OUT	L
LINE OUT	H

CT-W806DR, CT-07D

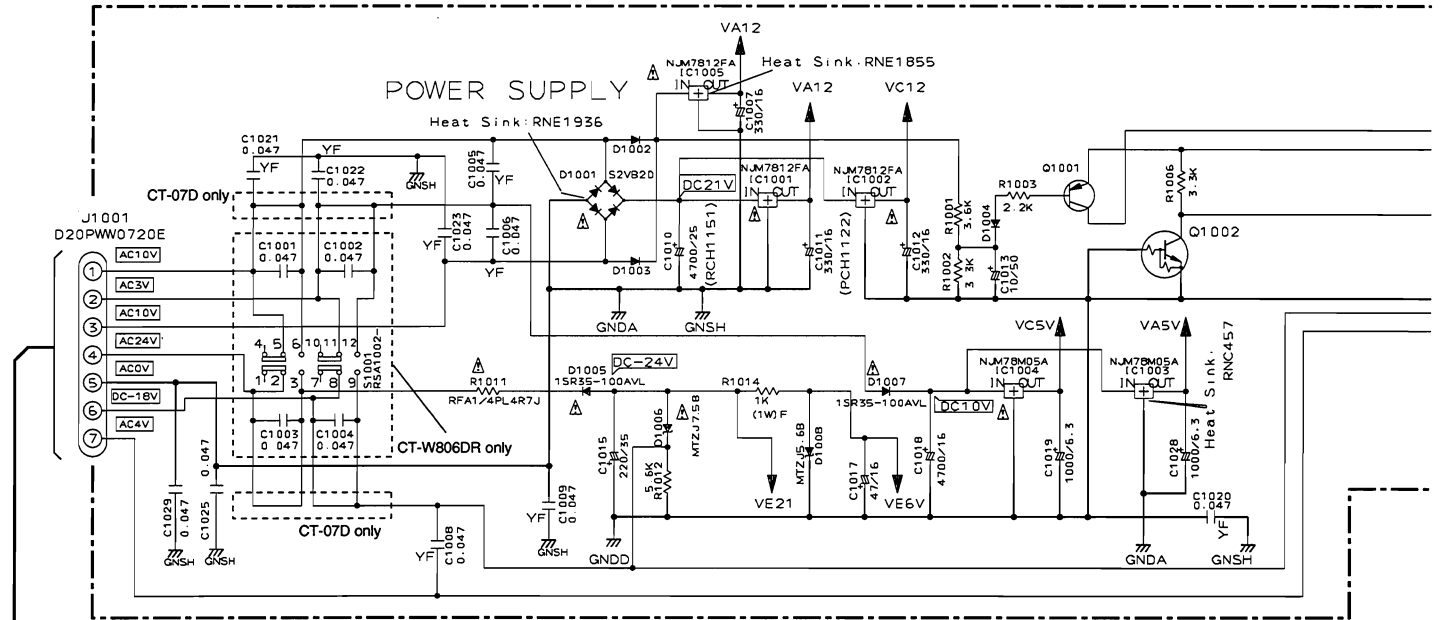
3.4 MAIN UNIT (3/4), MOTOR 1 UNIT, MOTOR 2 UNIT, POC 1 UNIT, POC 2 UNIT AND TIMER UNIT



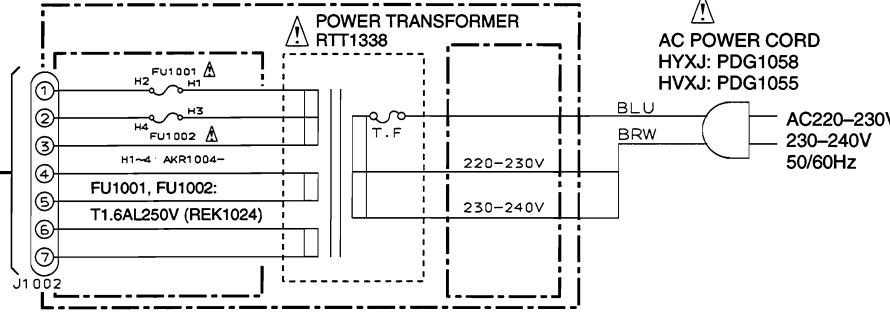


CT-W806DR, CT-07D

3.5 MAIN UNIT (4/4), TRN 1 UNIT, TRN 2 UNIT AND SUBB UNIT

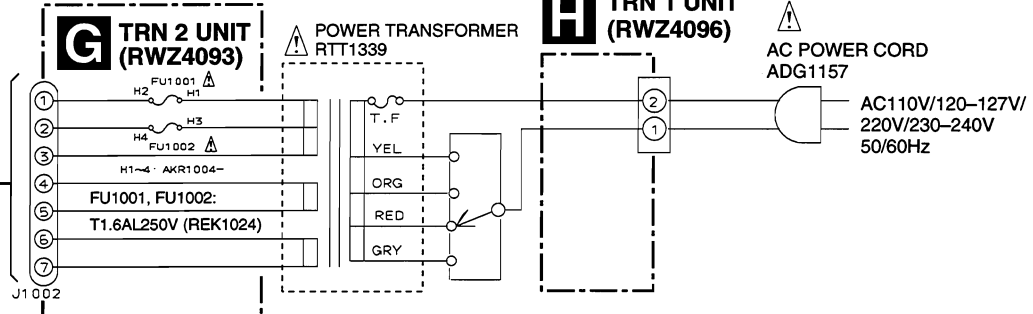


FOR CT-W806DR/HYXJ, HVXJ **G** TRN 2 UNIT (RWZ4093)

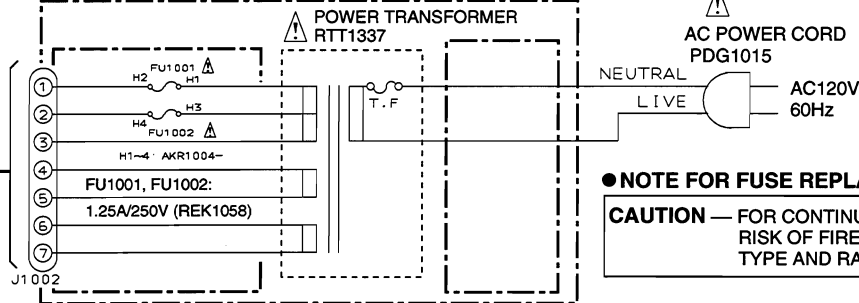


- NOTE**
If the parts are not identified in the diagram the followings are used.
- 25C3511A-R/S
 - 25A1309A-R/S
 - DTC114TS (KRC111M)
 - DTA114TS (KRA111M)
 - DTC124ES (KRC103M)
 - DTA124ES (KRA102M)
 - * 1S5254

FOR CT-W806DR/SDXJ



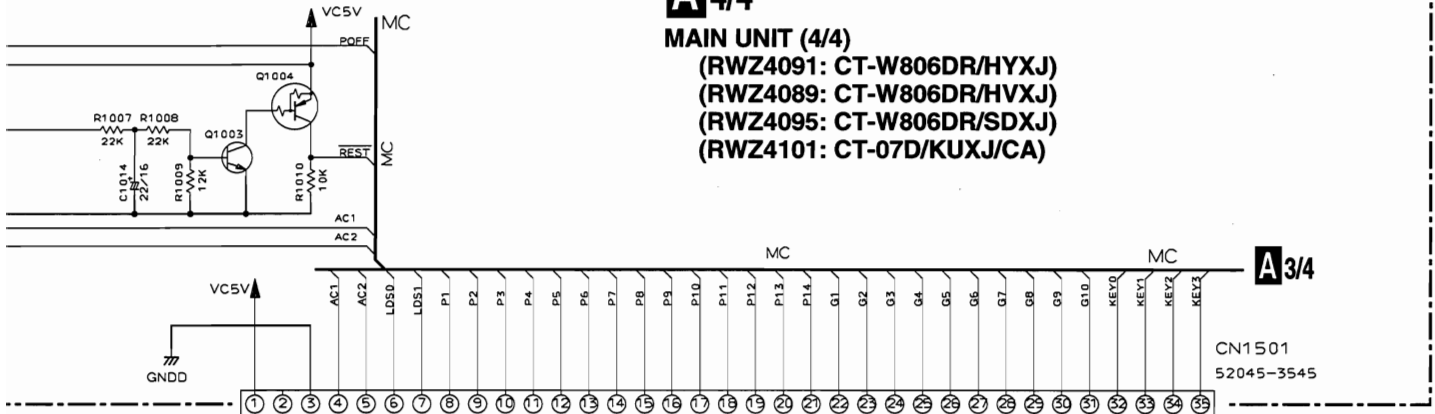
FOR CT-07D/KUXJ/CA **G** TRN 2 UNIT (RWZ4099)



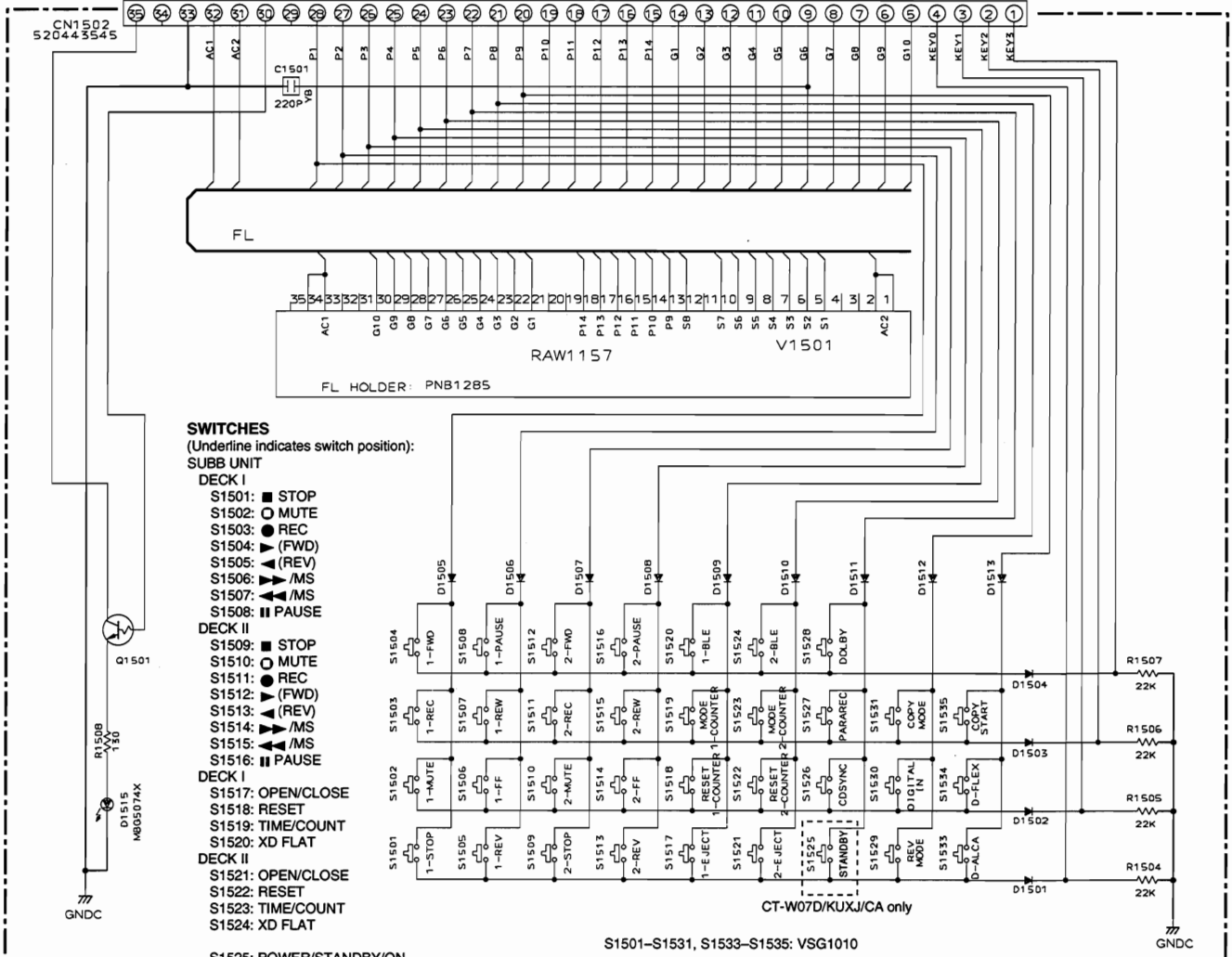
NOTE FOR FUSE REPLACEMENT
CAUTION — FOR CONTINUED PROTECTION AGAINST RISK OF FIRE, REPLACE ONLY WITH SAME TYPE AND RATINGS ONLY.

A 4/4

MAIN UNIT (4/4)
 (RWZ4091: CT-W806DR/HYXJ)
 (RWZ4089: CT-W806DR/HVXJ)
 (RWZ4095: CT-W806DR/SDXJ)
 (RWZ4101: CT-07D/KUXJ/CA)



A 3/4



- SWITCHES**
 (Underline indicates switch position):
- SUBB UNIT**
- DECK I**
- S1501: STOP
 - S1502: MUTE
 - S1503: REC
 - S1504: (FWD)
 - S1505: (REV)
 - S1506: /MS
 - S1507: /MS
 - S1508: PAUSE
- DECK II**
- S1509: STOP
 - S1510: MUTE
 - S1511: REC
 - S1512: (FWD)
 - S1513: (REV)
 - S1514: /MS
 - S1515: /MS
 - S1516: PAUSE
- DECK I**
- S1517: OPEN/CLOSE
 - S1518: RESET
 - S1519: TIME/COUNT
 - S1520: XD FLAT
- DECK II**
- S1521: OPEN/CLOSE
 - S1522: RESET
 - S1523: TIME/COUNT
 - S1524: XD FLAT

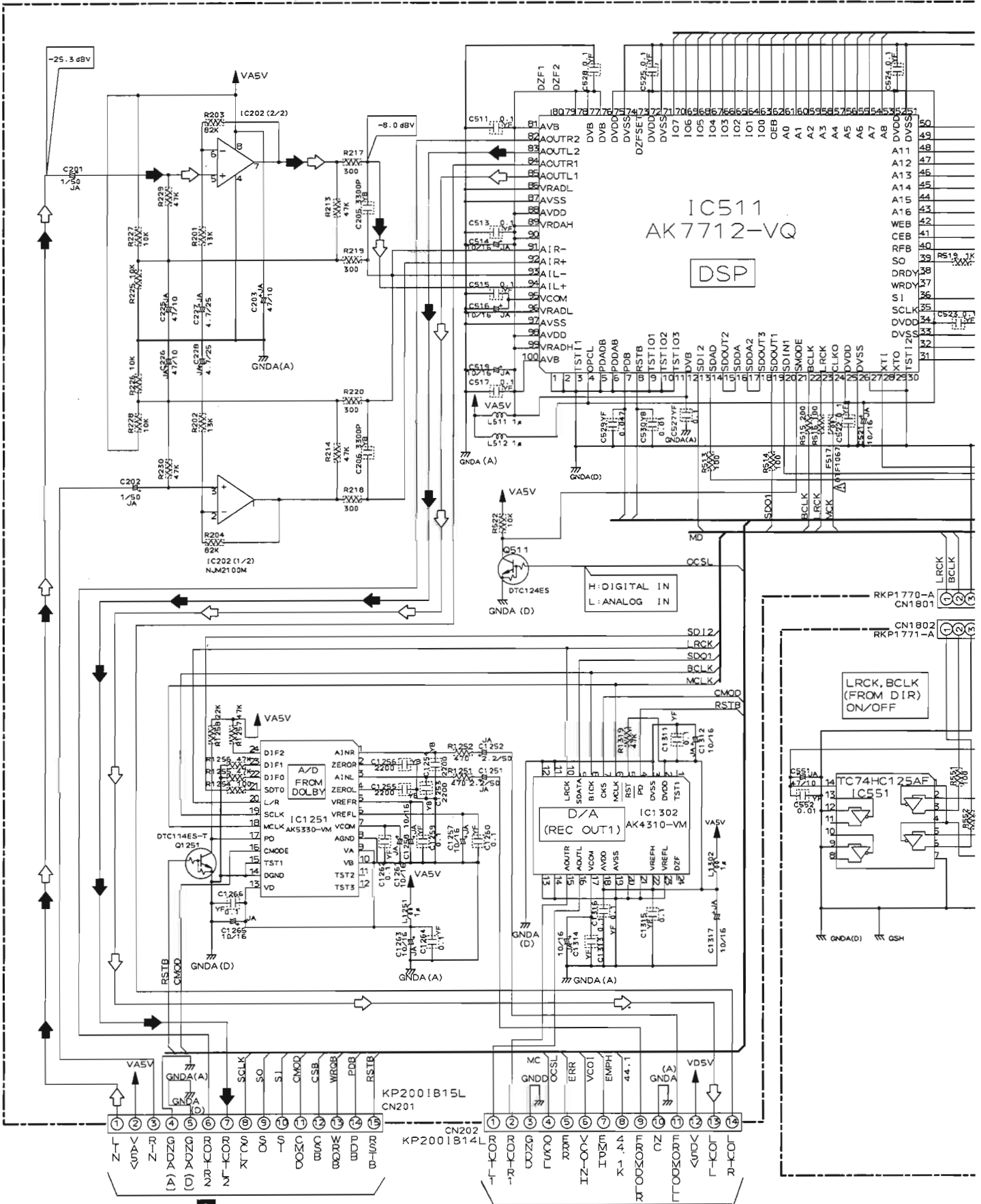
- S1525: POWER/STANDBY/ON
(CT-07D/KUXJ/CA only)
- S1526: CD SYNC
- S1527: PARALLEL REC
- S1528: DOLBY NR
- S1529: REV MODE
- S1530: DIGITAL IN
- S1531: COPY MODE
- S1533: ALCA
- S1534: FLEX
- S1535: COPY START

S1501-S1531, S1533-S1535: VSG1010

I SUBB UNIT
 (RWZ4092: CT-W806DR/HYXJ, HVXJ, SDXJ)
 (RWZ4102: CT-07D/KUXJ/CA)

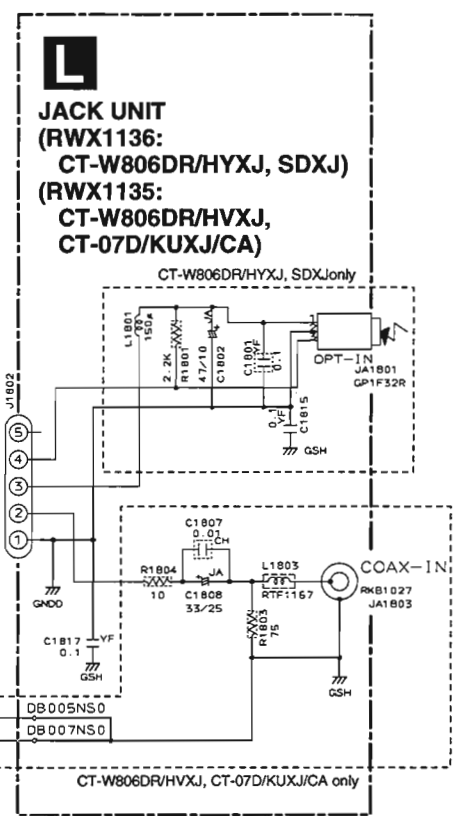
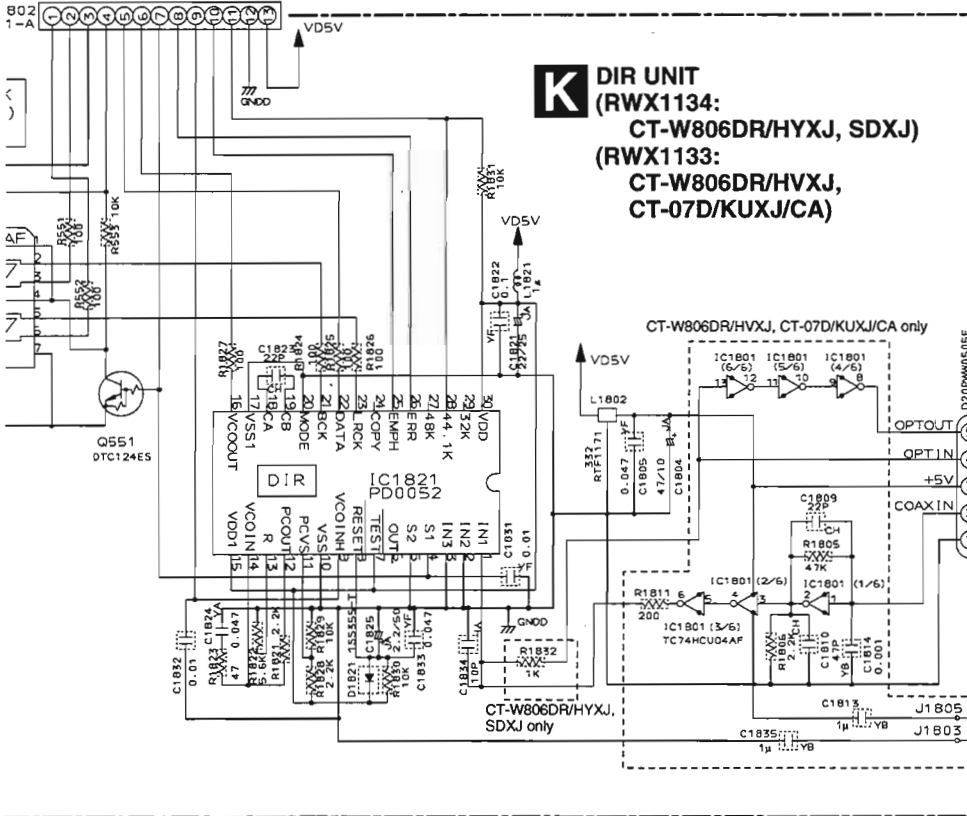
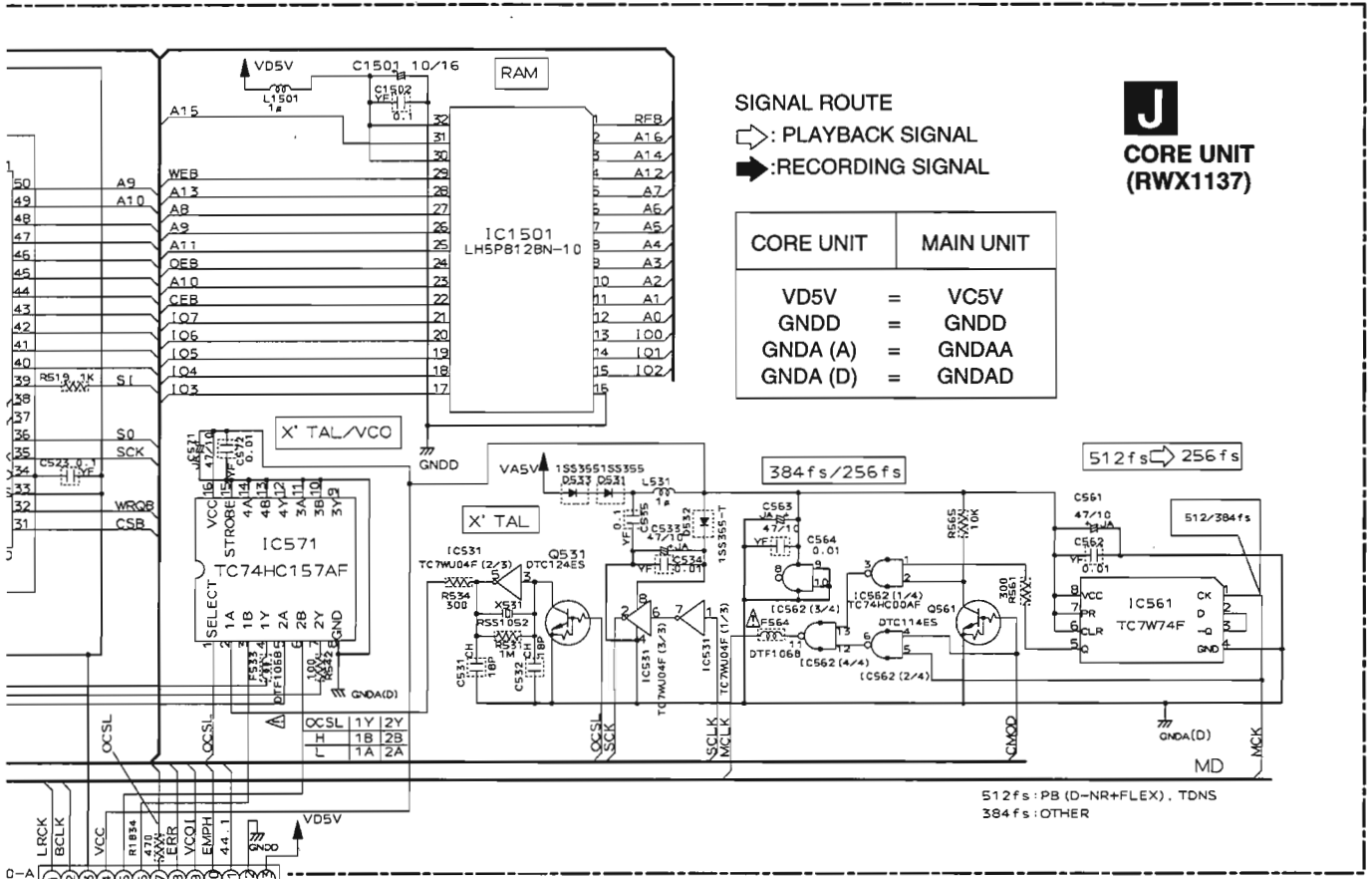
CT-W806DR, CT-07D

3.6 CORE UNIT, DIR UNIT AND JACK UNIT



A1/4 CN201

A2/4 CN202

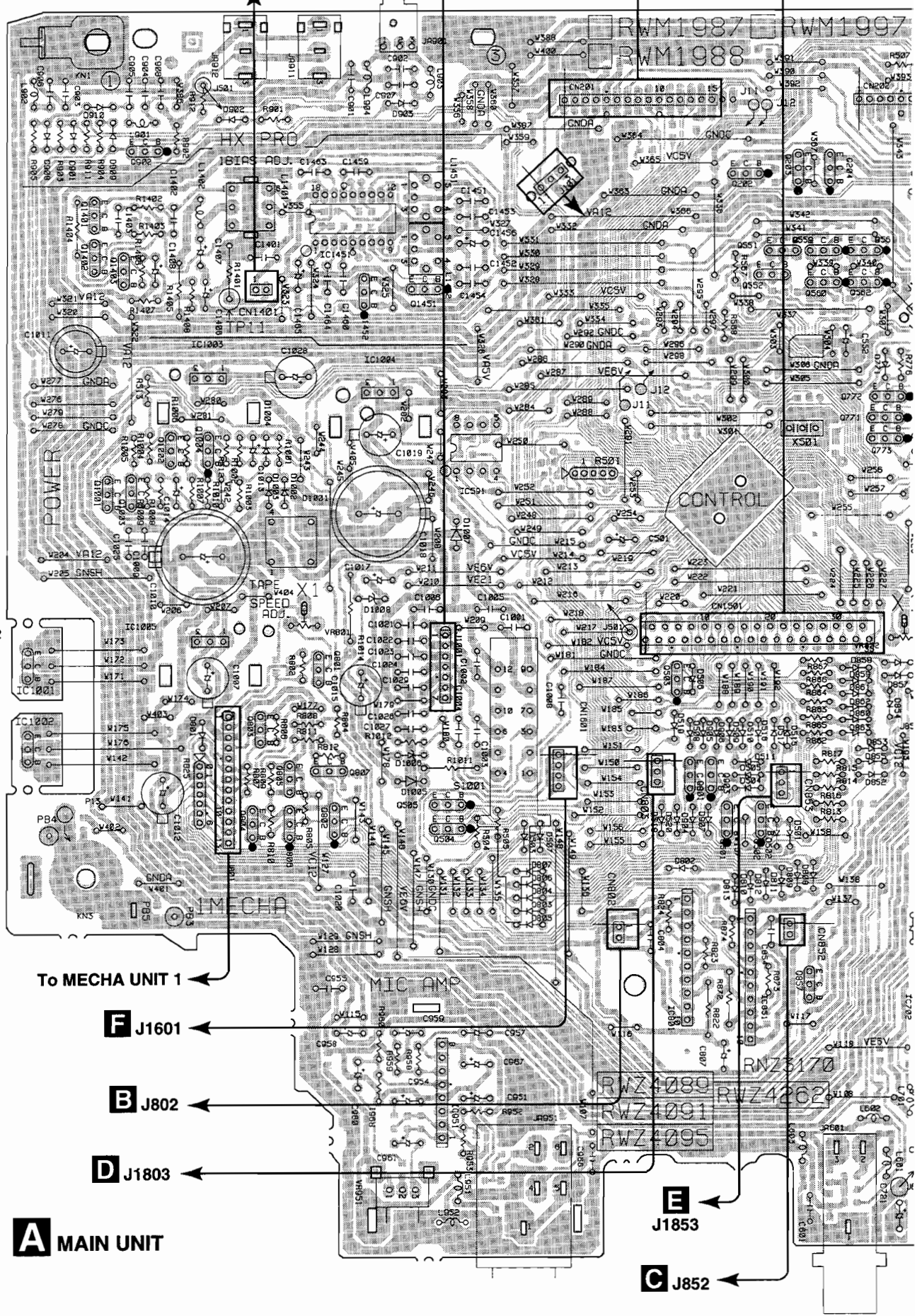


CT-W806DR, CT-07D

4. PCB CONNECTION DIAGRAM

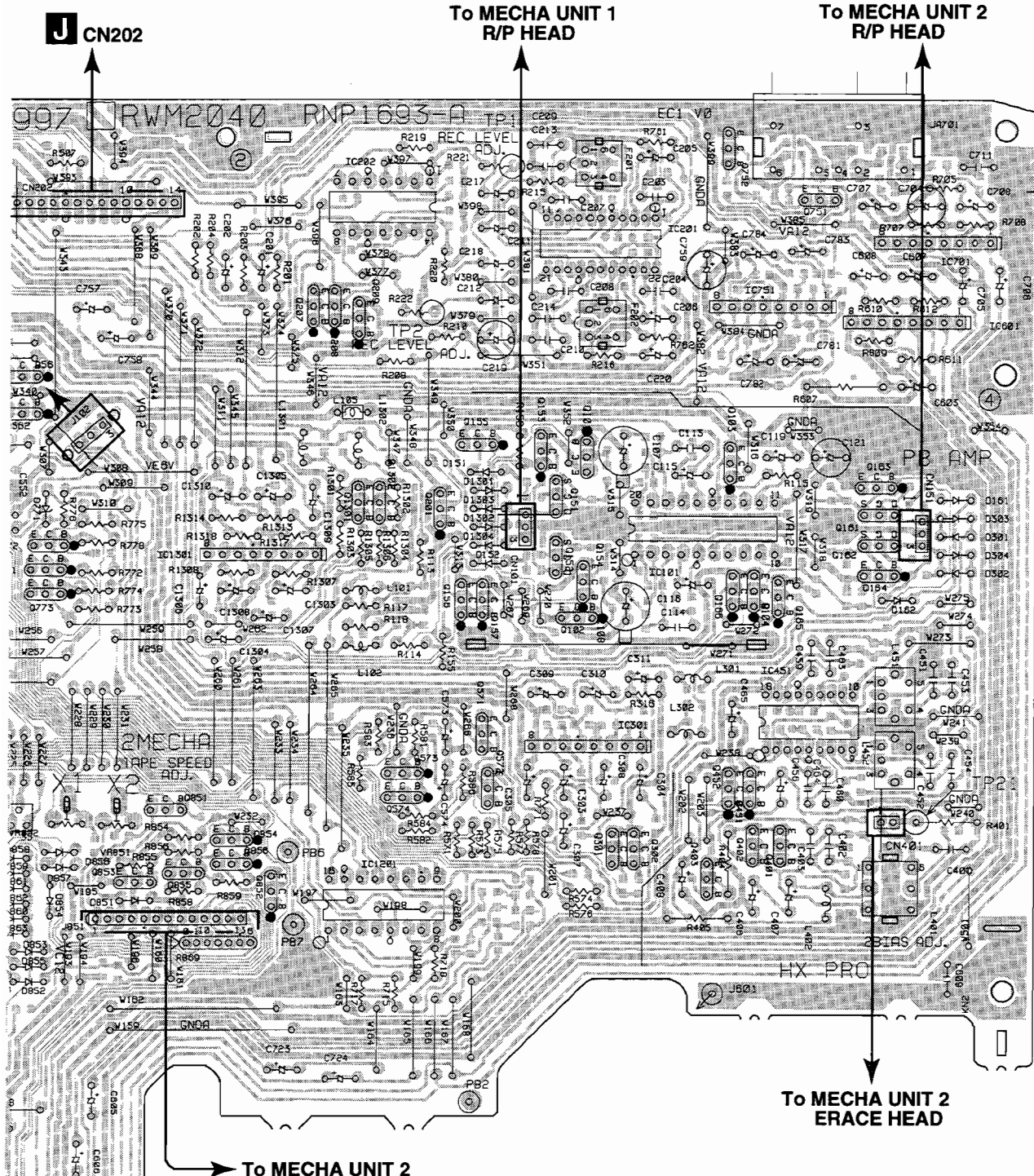
4.1 MAIN UNIT

To MECHA UNIT 1 ERACE HEAD **G** J1002 **J** CN201 **I** CN1502



- Q902 Q202
- Q204
- Q1401 Q551
- Q1403 Q552
- Q1451 Q559
- Q1451 Q562
- Q1452
- IC1003 Q771
- IC1004 Q773
- Q1001
- Q1004
- IC591
- IC1005
- VR801
- VR852
- IC1001
- Q801 Q503
- IC1002
- Q802
- Q807 Q901
- Q801 Q903
- Q504 Q501
- Q505 Q502
- Q857
- IC801
- IC851
- IC951
- VR951

A MAIN UNIT



IC202 Q751
 IC207 Q752
 IC201
 Q209 IC701
 IC751
 IC601

Q155
 Q153
 Q101 Q103
 IC101

Q1301
 Q1302 Q161
 Q201
 Q151
 IC1301 Q164

Q152
 Q154 Q165
 Q156 Q166
 Q157 Q104
 Q102

Q571
 Q572
 IC301

Q451
 Q452

Q301
 Q302
 Q401
 Q403
 IC1201

VR851
 VR852

IC702

VR701

SIDE A
 (RNP1693-A)

NOTE FOR PCB DIAGRAMS:

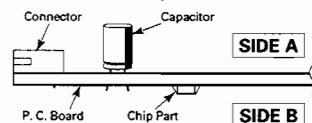
- 1 Part numbers in PCB diagrams match those in the schematic diagrams.
- 2 A comparison between the main parts of PCB and schematic diagrams is shown below.

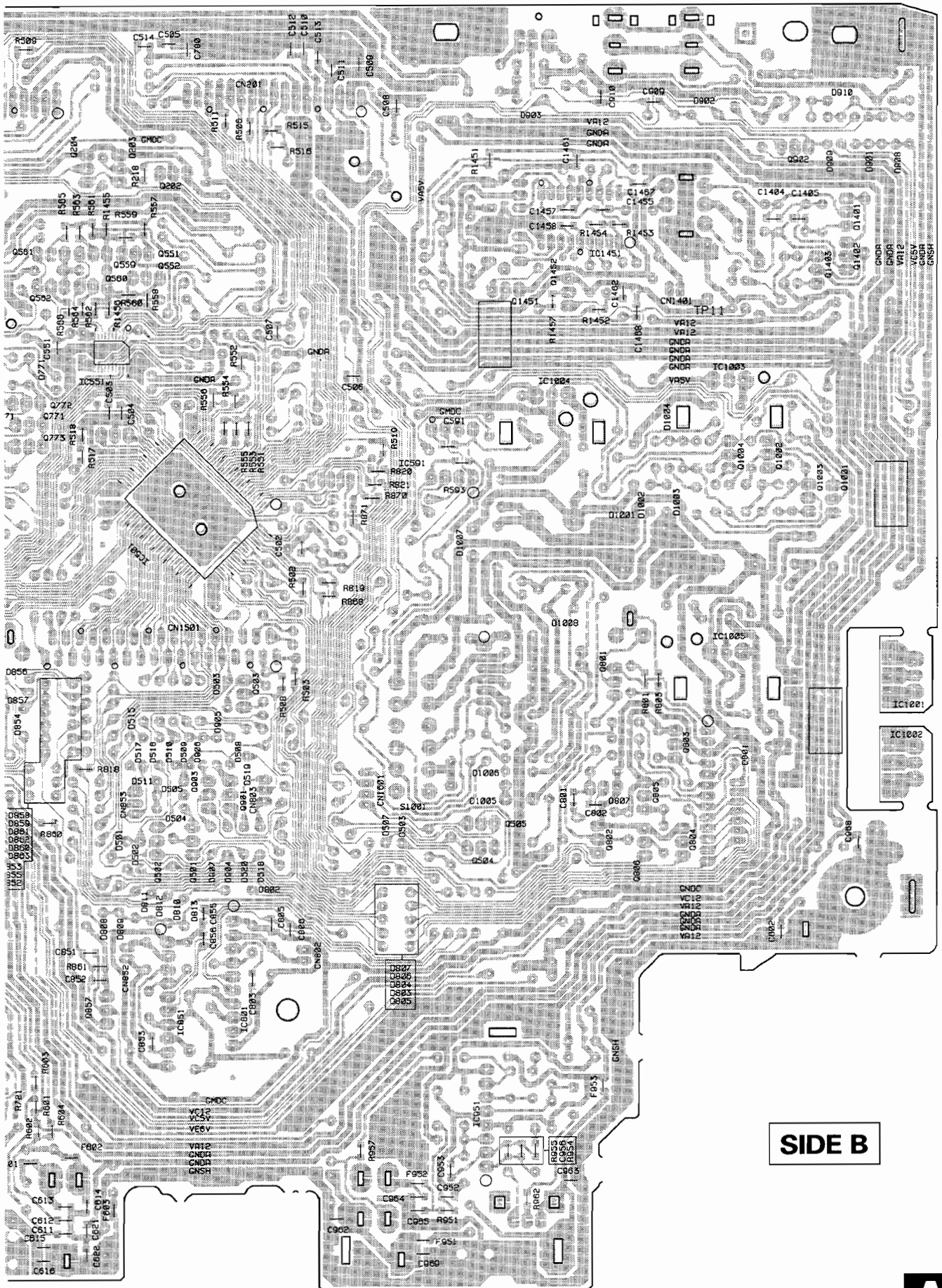
Symbol in PCB Diagrams	Symbol in Schematic Diagrams	Part Name
		Transistor
		Transistor with resistor
		Field effect transistor

Symbol in PCB Diagrams	Symbol in Schematic Diagrams	Part Name
		Resistor array
		3-terminal regulator

3. The parts mounted on this PCB include all necessary parts for several destination.
 For further information for respective destinations, be sure to check with the schematic diagram.

4. Viewpoint of PCB diagrams





IC551

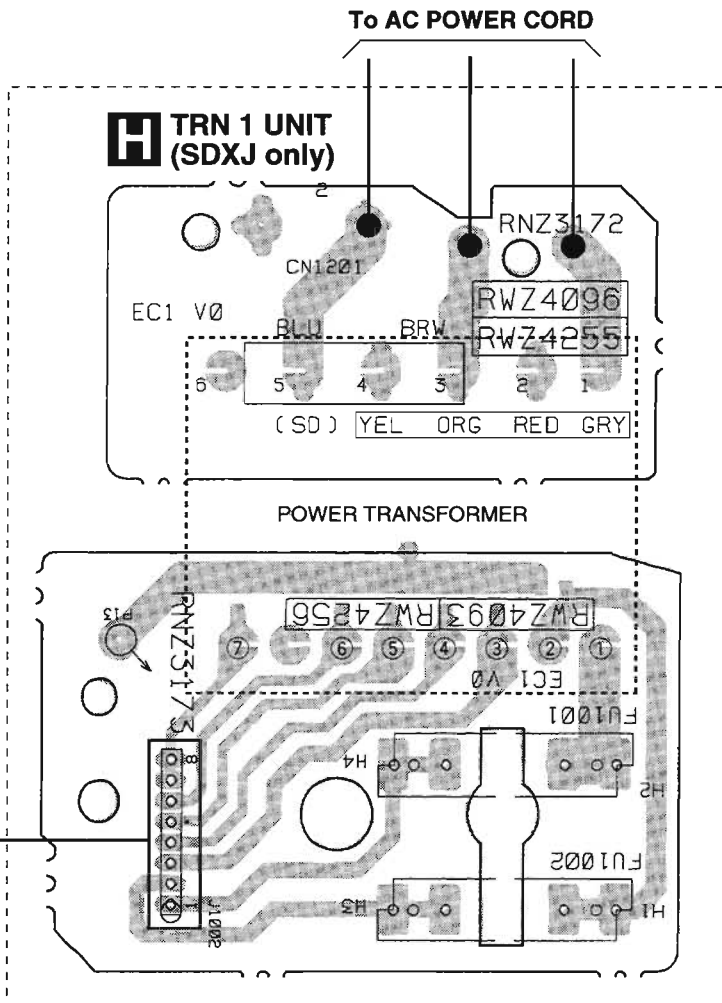
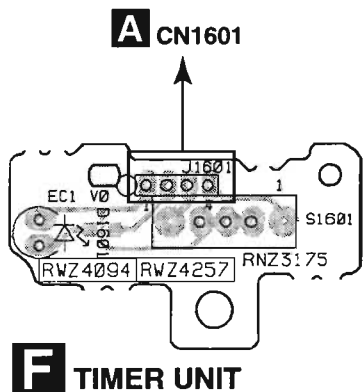
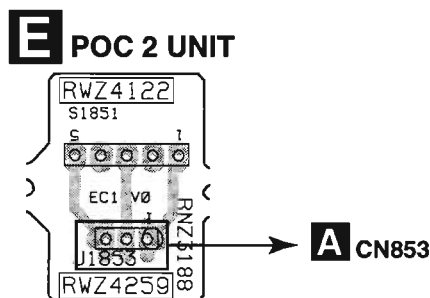
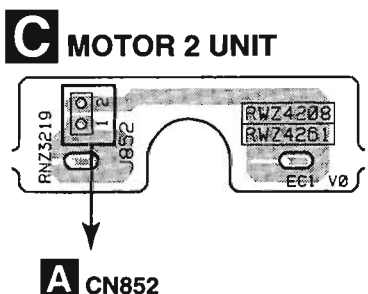
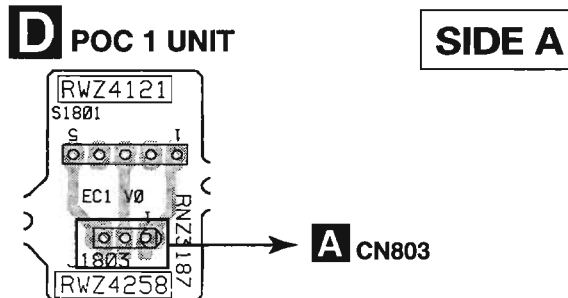
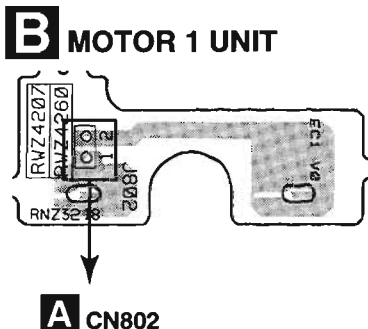
IC501

SIDE B

A

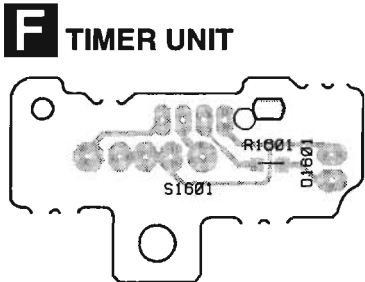
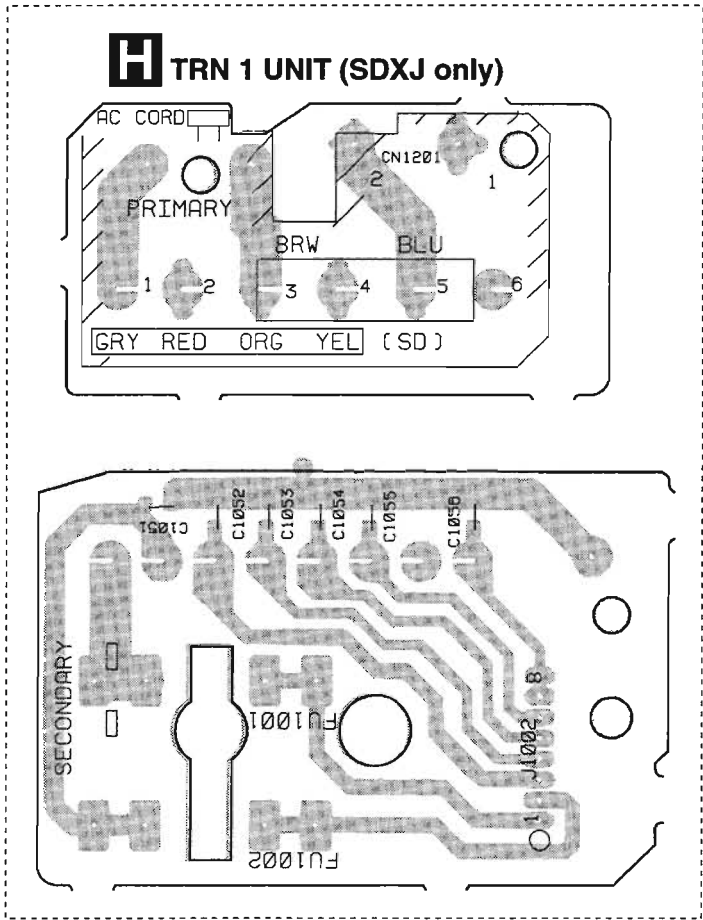
CT-W806DR, CT-07D

4.2 MOTOR 1 UNIT, MOTOR 2 UNIT, POC 1 UNIT, POC 2 UNIT, TIMER UNIT, TRN 1 UNIT AND TRN 2 UNIT



(RNP1693-A)

SIDE B

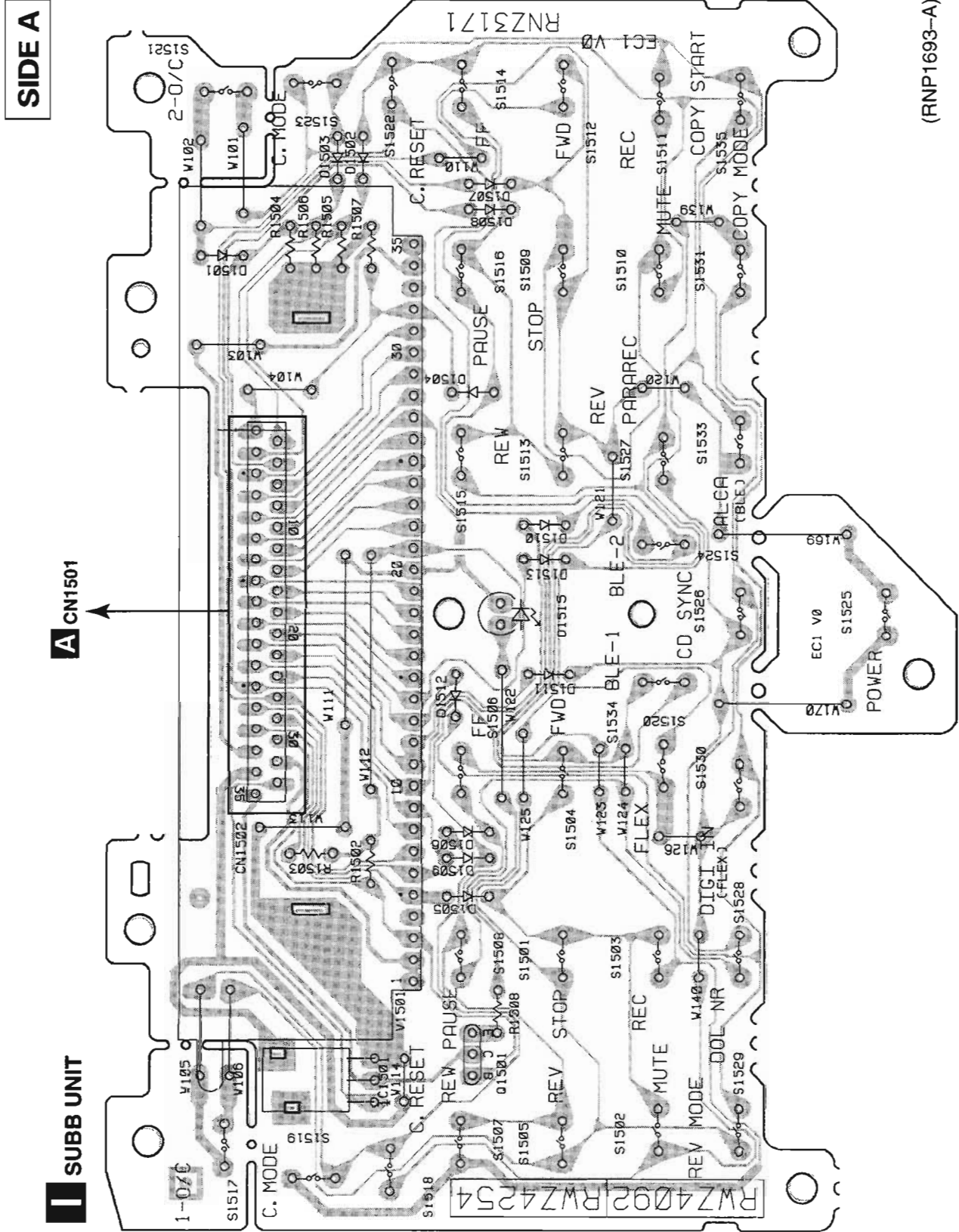


G TRN 2 UNIT

(RNP1693-A)

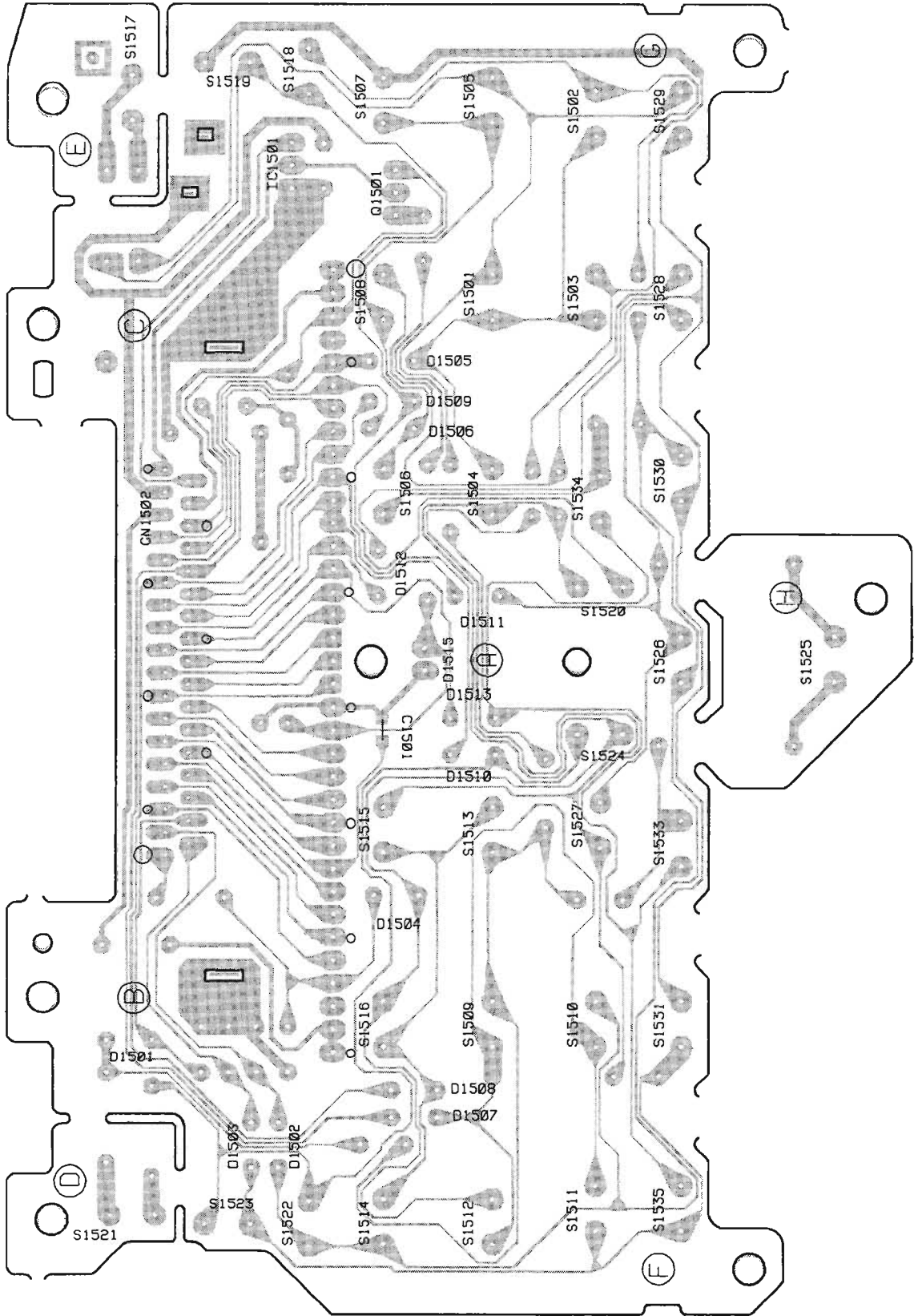
CT-W806DR, CT-07D

4.3 SUBB UNIT



SIDE B

SUBB UNIT

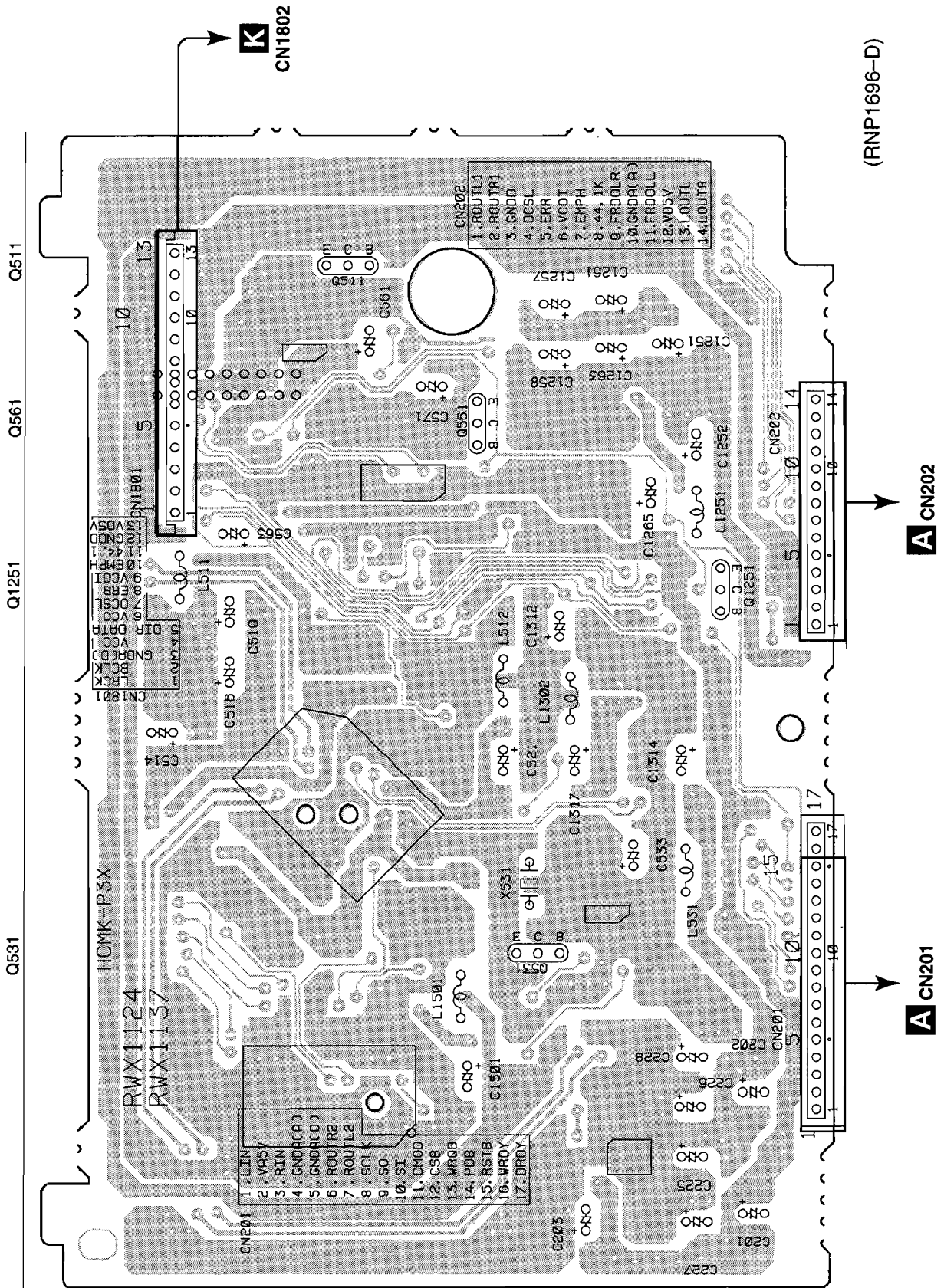


CT-W806DR, CT-07D

4.4 CORE UNIT

SIDE A

J CORE UNIT

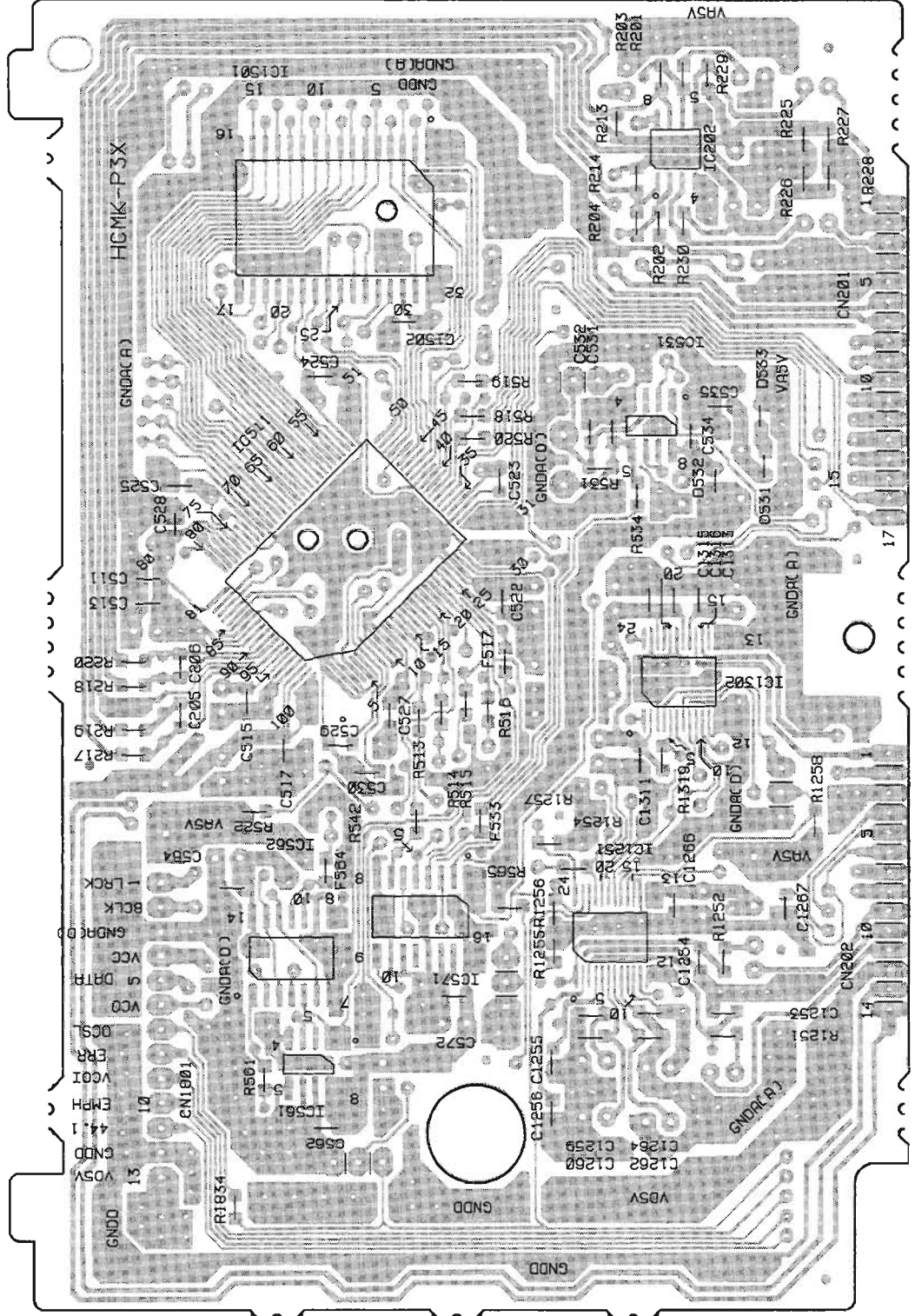


(RNP1696-D)

SIDE B

J CORE UNIT

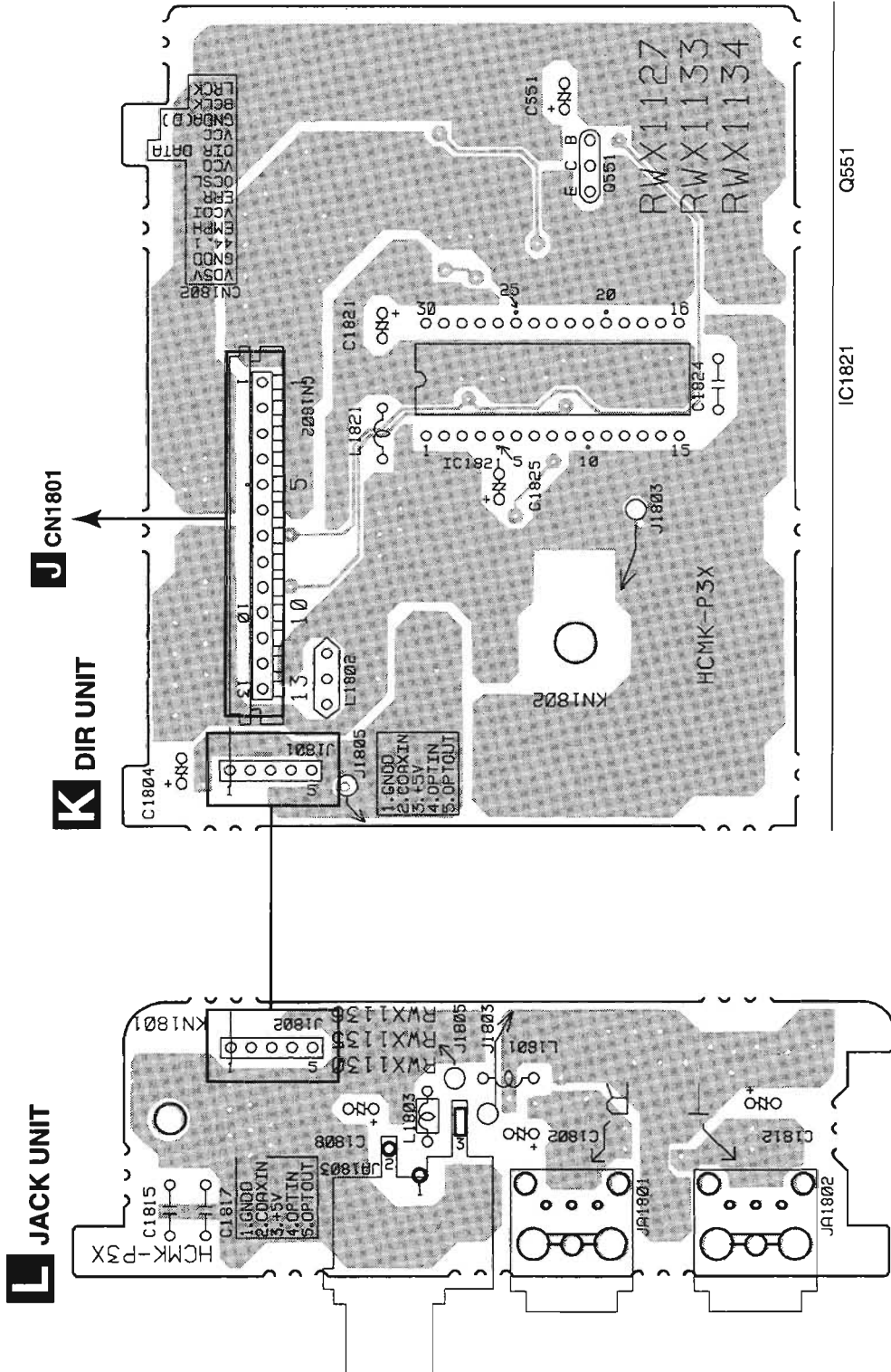
- IC561 IC562 IC571 IC1251
- IC1302 IC551 IC531
- IC1501 IC202



CT-W806DR, CT-07D

4.5 DIR UNIT AND JACK UNIT

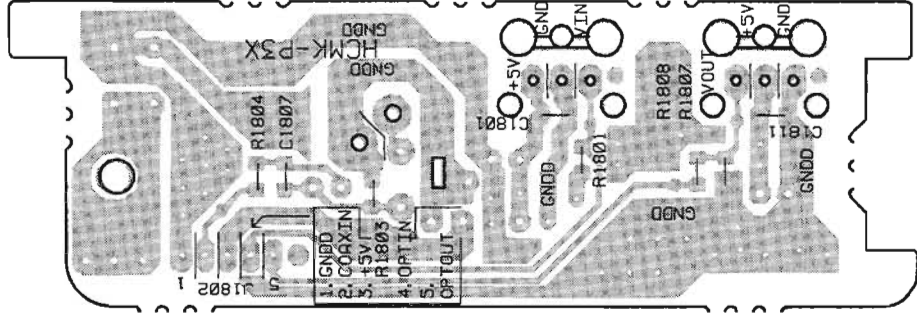
SIDE A



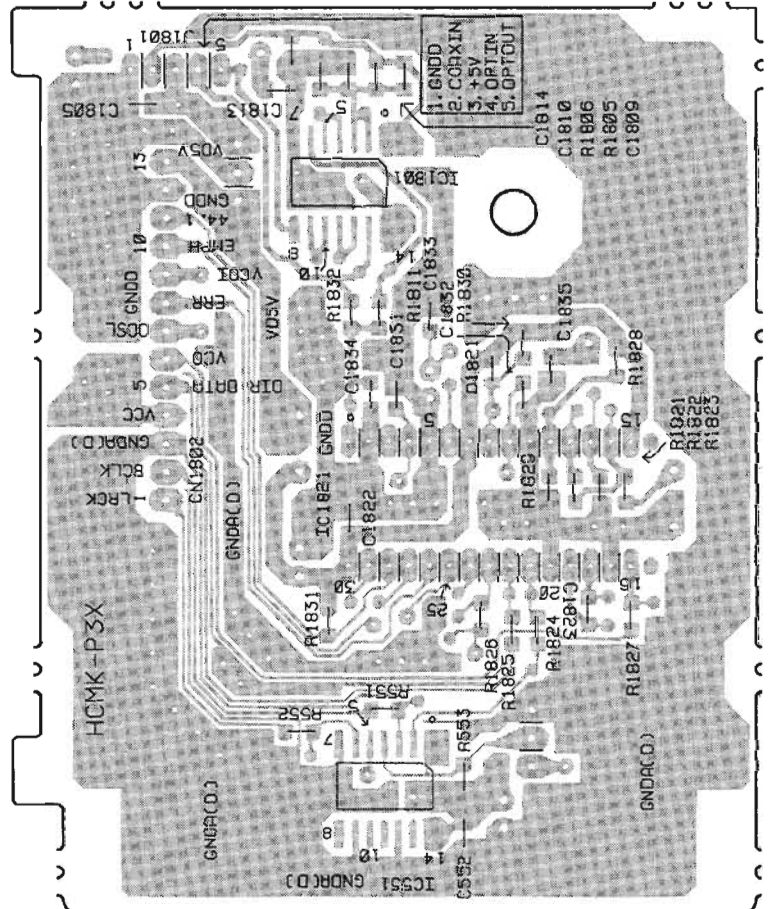
(RNP1696-D)

SIDE B

L JACK UNIT



K DIR UNIT



IC1801

IC551

CT-W806DR, CT-07D

5. PCB PARTS LIST

NOTES : ● Parts marked by “NSP” are generally unavailable because they are not in our Master Spare Parts List.

● The Δ mark found on some component parts indicates the importance of the safety factor of the part. Therefore, when replacing, be sure to use parts of identical designation.

● When ordering resistors, first convert resistance values into code form as shown in the following examples.

Ex. 1 When there are 2 effective digits (any digit apart from 0), such as 560 ohm and 47k ohm (tolerance is shown by $J = 5\%$, and $K = 10\%$).

$560 \Omega \rightarrow 56 \times 10^1 = 561$ RD1/4PU $\begin{matrix} \boxed{5} & \boxed{6} & \boxed{1} \end{matrix} J$

$47k \Omega \rightarrow 47 \times 10^3 = 473$ RD1/4PU $\begin{matrix} \boxed{4} & \boxed{7} & \boxed{3} \end{matrix} J$

$0.5 \Omega \rightarrow R50$ RN2H $\begin{matrix} \boxed{R} & \boxed{5} & \boxed{0} \end{matrix} K$

$1 \Omega \rightarrow 1R0$ RS1P $\begin{matrix} \boxed{1} & \boxed{R} & \boxed{0} \end{matrix} K$

Ex. 2 When there are 3 effective digits (such as in high precision metal film resistors).

$5.62k \Omega \rightarrow 562 \times 10^1 = 5621$ RNI/4PC $\begin{matrix} \boxed{5} & \boxed{6} & \boxed{2} & \boxed{1} \end{matrix} F$

■ LIST OF WHOLE PCB ASSEMBLIES

Mark	Symbol and Description	Part No.				Remarks
		CT-W806DR			CT-07D	
		HYXJ	HVXJ	SDXJ	KUXJ/CA	
NSP	MOTHER UNIT	RWM1987	RWM1997	RWM1988	RWM1995	
	└ MAIN UNIT	RWZ4091	RWZ4089	RWZ4095	RWZ4101	
	└ SUBB UNIT	RWZ4092	RWZ4092	RWZ4092	RWZ4102	
NSP	└ TRN 2 UNIT	RWZ4093	RWZ4093	RWZ4093	RWZ4099	
NSP	└ TIMER UNIT	RWZ4094	RWZ4094	RWZ4094	Not used	
NSP	└ POC 1 UNIT	RWZ4121	RWZ4121	RWZ4121	RWZ4121	
NSP	└ POC 2 UNIT	RWZ4122	RWZ4122	RWZ4122	RWZ4122	
NSP	└ MOTOR 1 UNIT	RWZ4207	RWZ4207	RWZ4207	RWZ4207	
NSP	└ MOTOR 2 UNIT	RWZ4208	RWZ4208	RWZ4208	RWZ4208	
NSP	└ TRN 1 UNIT	Not used	Not used	RWZ4096	Not used	
NSP	SUB UNIT	RWM2021	RWM2020	RWM2021	RWM2020	
	└ DIR UNIT	RWX1134	RWX1133	RWX1134	RWX1133	
	└ JACK UNIT	RWX1136	RWX1135	RWX1136	RWX1135	
	└ CORE UNIT	RWX1137	RWX1137	RWX1137	RWX1137	

■ CONTRAST OF PCB ASSEMBLIES

SUBB Unit

RWZ4092 and RWZ4102 have the same construction except for the following:

Mark	Symbol and Description	Part No.		Remarks
		RWZ4092	RWZ4102	
	S1525	Not used	VSG1010	*

Note*: Refer to **I**.

TRN 2 Unit

Although RWZ4093 and RWZ4099 are different in part number, they consist of the same components.

MAIN Unit

RWZ4091, RWZ4089, RWZ4095 and RWZ4101 have the same construction except for the following:

Mark	Symbol and Description	Part No.				Remarks
		RWZ4091	RWZ4089	RWZ4095	RWZ4101	
	Q101, Q102, Q163, Q164 Q504, Q505 D501, D502 D508 S1001	DTC124TS KRA111M 1SS254 Not used RSA1002	DTC124TS KRA111M 1SS254 Not used RSA1002	KRC111M KRA111M 1SS254 Not used RSA1002	KRC111M Not used Not used 1SS254 Not used	*
	F101-F106, F203, F204 C109-C112, C455, C701, C702, C751, C752 C953, C1455 C124 C203, C204	DTF1069 CCSQCH101J50 CCSQCH271J50 CCCSL101J50	DTF1069 CCSQCH101J50 CCSQCH271J50 CCCSL101J50	Not used CCSQCH101J50 Not used Not used	Not used CCSQSL101J50 Not used Not used	
	C615, C622, C713, C969 C711 C753, C754 C802, C852 C857	Not used CKCYF473Z50 CCSQCH121J50 CCSQCH330J50 CCSQCH470J50	CKSQYF224Z25 Not used CCSQCH121J50 CCSQCH330J50 CCSQCH470J50	Not used CKCYF473Z50 CCSQCH121J50 Not used Not used	CKSQYF224Z25 Not used CCSQSL121J50 Not used Not used	*
	C956 C1001-C1004 R119 R131, R132, R231, R232 R133-R136	CCSQCH181J50 CKCYF473Z50 RS1/10S223J Not used Not used	CCSQCH181J50 CKCYF473Z50 RS1/10S223J Not used Not used	CCSQCH181J50 CKCYF473Z50 RS1/10S104J RS1/10S0R0J RS1/10S0R0J	CCSQSL181J50 Not used RS1/10S104J RS1/10S0R0J Not used	* *
	R504, R505 R812 R861 J601 CN1601	RD1/4PU223J RD1/4PU223J RS1/10S223J Not used 52147-0410	RD1/4PU223J RD1/4PU223J RS1/10S223J DB020ND0 52147-0410	RD1/4PU223J RD1/4PU513J RS1/10S513J Not used 52147-0410	Not used RD1/4PU513J RS1/10S513J DB020ND0 Not used	*

Note*: Refer to **A**.

DIR Unit

RWX1134 and RWX1133 have the same construction except for the following:

Mark	Symbol and Description	Part No.		Remarks
		RWX1134	RWX1133	
	IC1801 C1809 C1810 C1813, C1835 C1814	Not used Not used Not used Not used Not used	TC74HCU04AF-TBB CCSQCH220J50 CCSQCH470J50 CKSQYB105K10 CKSQYB102K50	* * * * *
	R1805 R1806 R1811 R1832	Not used Not used Not used RS1/10S102J	RS1/10S473J RS1/10S222J RS1/10S201J Not used	* * *

Note*: Refer to **K**.

CT-W806DR, CT-07D

JACK Unit

RWX1136 and RWX1135 have the same construction except for the following:

Mark	Symbol and Description	Part No.		Remarks
		RWX1136	RWX1135	
	L1801 (150 μH)	LFA151K	Not used	
	L1803 (Noise filter)	Not used	RTF1167	*
	C1801	CKSQYF104Z25	Not used	
	C1802	CEJA470M10	Not used	
	C1807	Not used	CKSQYF103Z50	*
	C1808	Not used	CEJA330M25	*
	C1815	CGCYF104Z25	Not used	
	C1817	Not used	CGCYF104Z25	*
	R1801	RS1/10S222J	Not used	
	R1803	Not used	RS1/10S750J	*
	R1804	Not used	RS1/10S100J	*
	JA1801 OPTICAL LINK IN	GPIF32R	Not used	
	JA1803 COAX-IN	Not used	RKB1027	*

Note*: Refer to **L** .

H TRN 1 Unit (CT-W806DR/SDXJ ONLY)

TRN 1 Unit has no service part.

PCB PARTS LIST FOR CT-W806DR/HYXJ

Mark No.	Description	Parts No.	Mark No.	Description	Parts No.
A	MAIN UNIT				
	SEMICONDUCTORS				
	IC591	AK93C45		Q903	KRA111M
	IC1301, IC301, IC601, IC701, IC951	BA15218N		Q1002, Q1452, Q201-Q204, Q452	KRC103M
	IC202	BU4066BC		Q804, Q806, Q854, Q856, Q902	KRC103M
	IC101	CXA1115BP		Q103, Q104, Q153, Q154	KRC111M
	IC201	CXA1562S		Q156, Q157, Q166, Q209	KRC111M
	IC901, IC851	LB1641	⚠	Q559-Q562, Q573, Q574, Q802	KRC111M
	IC751	M5218AL	⚠	Q852	KRC111M
	IC551	M62352GP		D801, D851	11ES2
⚠	IC1001, IC1002, IC1005	NJM7812FA		D1005, D1007	1SR35-100AVL
⚠	IC1003, IC1004	NJM78M05FA		D1002, D1003	1SS254
	IC501	PD5390C		D1004, D1301-D1304, D151, D152	1SS254
	IC1201	TC4052BP		D161, D162, D301-D304	1SS254
	IC1451, IC451	UPC1297CA		D501, D502, D504-D506	1SS254
	Q1001, Q1451, Q451, Q801, Q851	2SA1309A		D509-D511, D515-D520	1SS254
	Q805, Q855	2SB1238X	⚠	D802-D813, D852-D863	1SS254
	Q803, Q853	2SB1425	⚠	D901-D910	1SS254
	Q1003, Q551, Q552, Q571, Q572	2SC1740S	⚠	D771	MTZJ3.9B
	Q807, Q857	2SC1740S	⚠	D1008	MTZJ5.6B
	Q1401, Q1402, Q401, Q402	2SC1815	⚠	D1006	MTZJ7.5B
	Q1301, Q1302, Q1403, Q301, Q302	2SD2144S	⚠	D1001	S2VB20
	Q403, Q751, Q752	2SD2144S			
	Q151, Q152, Q161, Q162	2SK373			
	Q101, Q102, Q163, Q164	DTC124TS			
	Q1004, Q155, Q165, Q207, Q208	KRA102M			
	Q501-Q505, Q771-Q773, Q901	KRA111M			
				COILS AND FILTERS	
				F951-F953	DTF1068
			⚠	F101-F106, F203, F204	DTF1069
				L603, L901, L902	LAU1R0J
				L903, L904	LAU4R7J
				L1402, L402	LFA121K

Mark No.	Description	Parts No.	Mark No.	Description	Parts No.
L1451, L1452, L451, L452 (4.6 μH) L1401, L401 L101, L102 L1301, L1302, L301, L302 L105		RTD1046 RTD1052 RTF1099 RTF1102 RTF1167	C301, C302 C1404, C1405, C404, C405 C125, C126 C103, C104 C1457, C1458, C457, C458		CKSQYB221K50 CKSQYB332K50 CKSQYB391K50 CKSQYB471K50 CKSQYB473K50
F201, F202		RTF1217	C105, C106, C952 C1461, C1462, C461, C462 C120, C128, C502-C504 C512, C513, C551, C591, C602 C771, C780, C909, C963		CKSQYB681K50 CKSQYB821K50 CKSQYF103Z50 CKSQYF103Z50 CKSQYF103Z50
SWITCHES AND RELAYS S1001		RSA1002	C508, C510, C511, C968 C709 C803, C853 C213, C214 C1402, C402		CKSQYF104Z25 CKSQYF104Z50 CKSQYF473Z50 CQMA103J50 CQMA223J50
CAPACITORS C901, C902 C203, C204 C1453, C1454, C453, C454 C151, C152, C161, C162 C109-C112, C1455, C455, C509		CCCCH470J50 CCCSL101J50 CCCSL271K2H CCSQCH100D50 CCSQCH101J50	C113, C114 C1401, C401 C1011 (1000/16V) C1451, C1452, C451, C452 (430pF/500V) C1010 (4700/25V)		CQMA822J50 CQPA682J2A PCH1122 RCG1005 RCH1151
C701, C702, C712, C751, C752 C953 C753, C754 C956 C1467, C1468, C467, C468		CCSQCH101J50 CCSQCH101J50 CCSQCH121J50 CCSQCH181J50 CCSQCH221J50	RESISTORS R501 R825, R869 R1401, R401 R1405, R405 R1404, R404		RA4T223J RA6T103J RD1/2LMF1R0J RD1/2LMF330J RD1/2LMF5R6J
C124 C802, C852 C857 C107, C108 C1013, C1307-C1310, C1465		CCSQCH271J50 CCSQCH330J50 CCSQCH470J50 CEANL101M10 CEAS100M50	R1305, R1306, R1406, R507 R761, R762, R824, R874, R904 R959 R1010, R201, R202, R208, R210 R813-R817, R862-R867, R958		RD1/4PU102J RD1/4PU102J RD1/4PU102J RD1/4PU103J RD1/4PU103J
C211, C212, C307-C310, C465 C707, C708, C954, C957, C960 C603, C605, C606 C1019, C1028 C205, C206, C607, C608, C951		CEAS100M50 CEAS100M50 CEAS101M16 CEAS102M6R3 CEAS1R0M50	R1313, R1314, R1317, R1318, R771 R773, R775, R952, R953 R960, R961 R203, R204, R802 R1009, R1402, R1403		RD1/4PU104J RD1/4PU104J RD1/4PU104J RD1/4PU112J RD1/4PU123J
C1014 C781, C782 C1015 C1406, C1407, C406, C407 C705, C706		CEAS220M16 CEAS220M50 CEAS221M35 CEAS330M16 CEAS330M16	R804 R113, R114 R715 R571 R705, R707, R708		RD1/4PU124J RD1/4PU152J RD1/4PU153J RD1/4PU163J RD1/4PU184J
C1007, C1012 C1017, C119, C121, C1306, C1408 C219, C220, C305, C408, C501 C552, C704, C759, C807 C958, C959, C961		CEAS331M16 CEAS470M16 CEAS470M16 CEAS470M16 CEAS470M16	R809, R858 R1003, R1408, R512, R513, R807 R856 R1007, R1008, R156, R504, R505 R772, R774, R778, R805, R806		RD1/4PU203J RD1/4PU222J RD1/4PU222J RD1/4PU223J RD1/4PU223J
C1018 C1303, C1304, C303, C304 C573, C574 C1456, C456 C115, C116, C217, C218		CEAS472M16 CEAS4R7M50 CEAS4R7M50 CEASR22M50 CEYA100M50	R811, R812, R854, R855, R903 R717, R718 R219, R220, R823, R873 R901, R905 R1307, R1308		RD1/4PU223J RD1/4PU242J RD1/4PU272J RD1/4PU274J RD1/4PU303J
C783, C784 C201, C202, C757, C758 C207, C208 C209, C210 C1463, C1464, C463, C464		CEYA100M50 CEYA1R0M50 CFTXA104J50 CFTXA683J50 CGCYX103K25	R1002, R1006, R567, R568 R577, R578, R585, R586 R115, R573, R574 R1001 R1407, R155		RD1/4PU332J RD1/4PU332J RD1/4PU333J RD1/4PU362J RD1/4PU473J
C1459, C1460, C459, C460 C1403, C403 C905, C907, C908 C1001-C1006, C1008, C1020-C1023 C1025, C1029, C601, C609, C711		CGCYX223K25 CGCYX332K25 CKCYF103Z50 CKCYF473Z50 CKCYF473Z50	R1012 R776 R583, R584 R575, R576, R808 R810, R859		RD1/4PU562J RD1/4PU681J RD1/4PU682J RD1/4PU683J RD1/4PU751J
C804, C854, C906, C955, C966 C710, C801, C805, C806, C851 C855, C856 C117, C118 C101, C102, C1301, C1302		CKCYF473Z50 CKSQYB102K50 CKSQYB102K50 CKSQYB122K50 CKSQYB221K50			

CT-W806DR, CT-07D

Mark No.	Description	Parts No.
	R215, R216, R581, R582 R609-R612 R1303, R1304 R1301, R1302 R822, R872	RD1/4PU822J RD1/4PU823J RD1/4PU911J RD1/4PU912J RFA1/4PL100J
△	R1011 R1014 R607 VR851 (2.2 kΩ) VR801, VR852 (1.0 kΩ)	RFA1/4PL4R7J RS1LMF102J RS1LMF221J RCP1019 RCP1044
	VR701 (5 kΩ-A) VR951 (10 kΩ-A) Other Resistors	RCV1115 RCV1116 RS1/10S□□□J
OTHERS		
	CN1501 35P FFC CONNECTOR CN802, CN852 2P JUMPER CONNECTOR CN803, CN853 3P JUMPER CONNECTOR CN1601 4P JUMPER CONNECTOR CN701 PIN JACK(4P)	52045-3545 52147-0210 52147-0310 52147-0410 AKB7015
	CN1401, CN401 CONNECTOR POST CN101, CN151 CONNECTOR POST CN202 14P PLUG CN201 15P PLUG JA901	B2B-PH-K-S B3B-PH-K-S KM200IB14 KM200IB15 PKN1005
	JA601 HEADPHONE JACK JA951 MIC JACK JA911, JA912 REMOTE CONTROL JACK X501 (8.389MHz) PCB BINDER	RKN1002 RKN1003 RKN1004 RSS1042 VEF1008
NSP NSP NSP	GROUND PLATE HEAT SINK PLATE A MIC SHIELD PLATE	VNF-091 PNC-457 RNE1592 RNE1905
I SUBB UNIT		
SEMICONDUCTORS		
	Q1501 D1501-D1513 D1515	KRC111M 1SS254 MBG5074X
SWITCHES AND RELAYS		
	S1501-S1524, S1526-S1531 S1533-S1535	VSG1010 VSG1010
CAPACITORS		
	C1501	CKSQYB221K50
RESISTORS		
	All Resistors	RD1/4PU□□□J
OTHERS		
	CN1502 35P FFC CONNECTOR V1501 FL TUBE	52044-3545 RAW1157
G TRN 2 UNIT		
OTHERS		
	H1-H4 FUSE CLIP	AKR1004

Mark No.	Description	Parts No.
F	TIMER UNIT SWITCHES AND RELAYS S1601	RSH1041
D	POC 1 UNIT OTHERS REAF SWITCH	VSK1011
E	POC 2 UNIT OTHERS REAF SWITCH	VSK1011
B	MOTOR 1 UNIT MOTOR 1 UNIT has no service part.	
C	MOTOR 2 UNIT MOTOR 1 UNIT has no service part.	
K	DIR UNIT SEMICONDUCTORS IC1821 IC551 Q551 D1821	PD0052 TC74HC125AF DTC124ES 1SS355
COILS AND FILTERS		
	L1821 L1802	LFA1R0K RTF1171
CAPACITORS		
	C1834 C1823 C1821 C1825 C1804, C551 C1824 C1831, C1832 C552 C1822 C1805, C1833	CCSQCH100D50 CCSQCH220J50 CEJA220M25 CEJA2R2M50 CEJA470M10 CFTYA473J50 CKSQYB103K50 CKSQYF103Z50 CKSQYF104Z25 CKSQYF473Z50
RESISTORS		
	All Resistors	RS1/10S□□□J
OTHERS		
	CN1802 13P SOCKET KN1802 EARTH METAL FITTING	RKP1771 VNF1084

Mark No.	Description	Parts No.
L	JACK UNIT	
	COILS AND FILTERS	
	L1801	LFA151K
	CAPACITORS	
	C1802	CEJA470M10
	C1815	CGCYF104Z25
	C1801	CKSQYF104Z25
	RESISTORS	
	All Resistors	RS1/10S□□□J
	OTHERS	
	JA1801 OPTICAL LINK IN	GP1F32R
	KN1801 EARTH METAL FITTING	VNF1084

Mark No.	Description	Parts No.
OTHERS		
CN202	14P SOCKET	KP200IB14L
CN201	15P SOCKET	KP200IB15L
CN1801	13P PLUG	RKP1770
X531	(18.432 MHz)	RSS1052

Mark No.	Description	Parts No.
J	CORE UNIT	
	SEMICONDUCTORS	
	IC1302	AK4310-VM
	IC1251	AK5330-VM
	IC511	AK7712-VQ
	IC1501	LH5P8128N-10
	IC202	NJM2100M
	IC562	TC74HC00AF
	IC571	TC74HC157AF
	IC561	TC7W74F
	IC531	TC7WU04F
	Q1251, Q561	DTC114ES
	Q511, Q531	DTC124ES
	D531-D533	1SS355
	COILS AND FILTERS	
	Δ F517	DTF1067
	Δ F533, F564	DTF1068
	L1251, L1302, L1501, L511, L512	LFA1R0K
	L531	LFA1R0K
	CAPACITORS	
	C531, C532	CCSQCH180J50
	C1257, C1258, C1261, C1263, C1265	CEJA100M16
	C1312, C1314, C1317, C1501, C514	CEJA100M16
	C516, C519, C521	CEJA100M16
	C201, C202	CEJA1R0M50
	C1251, C1252	CEJA2R2M50
	C203, C225, C226, C533, C561	CEJA470M10
	C563, C571	CEJA470M10
	C227, C228	CEJA4R7M25
	C530	CKSQYB103K50
	C1253-C1256	CKSQYB222K50
	C205, C206	CKSQYB332K50
	C534, C562, C564, C572	CKSQYF103Z50
	C1259, C1260, C1262, C1264, C1266	CKSQYF104Z25
	C1311, C1313, C1315, C1316, C1502	CKSQYF104Z25
	C511, C513, C515, C517	CKSQYF104Z25
	C522-C525, C527, C528, C535	CKSQYF104Z25
	C529	CKSQYF473Z50
	RESISTORS	
	All Resistors	RS1/10S□□□J

CT-W806DR, CT-07D

6. ADJUSTMENT

● Adjustment points and Measurement points are shown in Fig. 6-4.

6.1 MECHANICAL ADJUSTMENT

6.1.1 Tape Speed Adjustment

● Perform this adjustment in the test mode.

● Test Mode Setting

- (1). Press the TIME/COUNT and RESET keys of DECK I together with the PAUSE key of DECK II.
- (2). The speed becomes normal when the PLAY key is pressed, and double when the FF key is pressed.
- (3). To cancel the TEST mode, press the RESET key of DECK I or turn off the power.

No.	DECK	Mode	Test Tape	Adjusting Point	Specifications/Ratings (Playback Frequency)	Remarks
1	I	Double Speed PLAY	STD-301 (3 kHz) or NCT-111	Check	5100 Hz \pm 510 Hz	
2	II			VR851	Within \pm 10 Hz against the measurement value of the step 1 (DECK I).	
3	I	Normal Speed PLAY		VR801	2980 Hz \pm 5 Hz	
4	II			VR852	Within \pm 5 Hz against the measurement value of the step 3 (DECK I).	

6.2 ELECTRICAL ADJUSTMENT

Adjustment Conditions

- (1). The mechanical adjustments must be completed first.
- (2). The head must be cleaned and demagnetized.
- (3). Turn the power on allow the deck to warm up for at least a few minutes before commencing any electrical adjustments.
- (4). The reference signal is 0 dBV = 1 Vrms.
- (5). Connect a10 k Ω load resistance to the OUTPUT terminals.
- (6). Unless otherwise specified, the switches listed below are left in the positions indicated.

DOLBY NR : OFF
TAPE SELECTOR : NORM

List of Adjustments

■ Playback Section

- (1). Head Azimuth Adjustment
- (2). Playback Level Automatic Adjustment

■ Recording Section

- (1). Bias Oscillator Adjustment
- (2). Recording Bias and Recording Level Automatic Adjustment

NOTE: This unit has an automatic tape selection feature.

Test Tape

STD-331E : Playback adjustment (See Fig. 6-1)

STD-632 : NORMAL blank tape

STD-622 : CrO2 blank tape

STD-611 : METAL blank tape

* As the reference recording level is 250 nwb/m for STD-331E, the recording level will be higher by 4 dB for STD-331B (160nwb/m). When adjusting, pay careful attention to the type of tape used.

*Dolby noise reduction and HX Pro headroom extension manufactured under license from Dolby Laboratories Licensing Corporation. HX Pro originated by Bang & Olufsen.
"DOLBY", the double-D symbol and "HX PRO" are trademarks of Dolby Laboratories Licensing Corporation.*

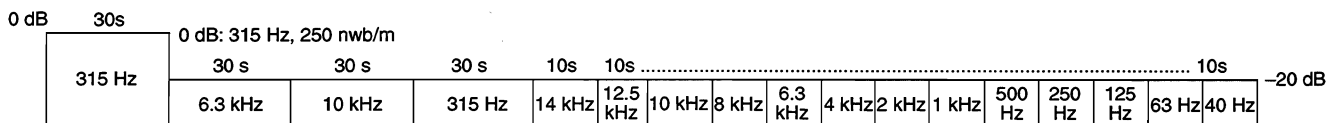


Fig. 6-1 Constants of the Test Tape STD-331E

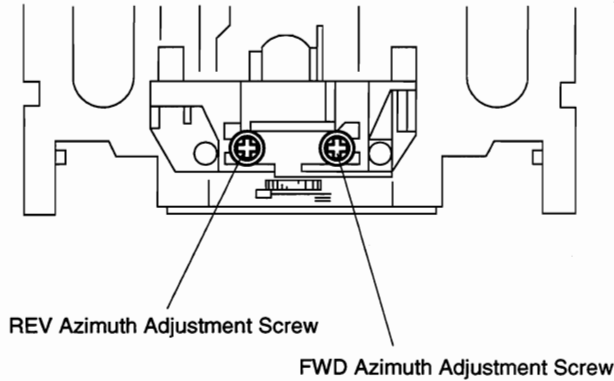
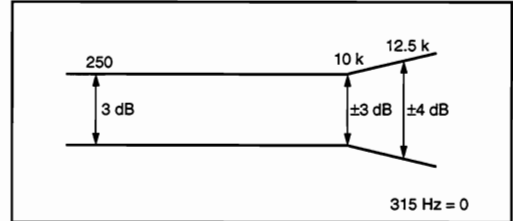


Fig. 6-2 Head Azimuth Adjustment

PLAY BACK



RECORDING

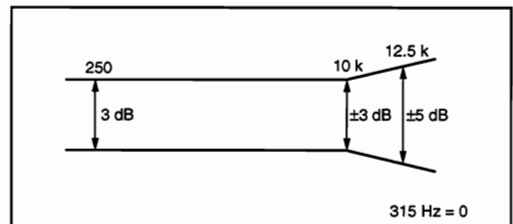


Fig. 6-3 Frequency Response Zone

6.2.1 Playback Section

(1). Head Azimuth Adjustment

No.	Mode	Input Signal and Test Tape	Adjustment Location	Measurement Location	Adjustment Value	Remarks
1	PLAY	Play the 10 kHz/-20 dB section of STD-331E test tape.	Head azimuth adjustment screw (See Fig. 6-2)	LINE OUT	Maximum playback signal level	
2	STOP	Lock the screw with silicon bond after completing adjustment.				

(2). Playback Level Automatic Adjustment

- ① Press the test mode, set both TIME/COUNT and RESET keys of DECK I together with the PAUSE key of DECK II all together.
- ↓
- ② When the BLE key (DECK II) is pressed, enter the Automatic adjustment mode.
- ↓
- ③ Set the test tape STD-331E, 315Hz/0dB.
- ↓
- ④ When the PLAY key (DECK I) is pressed, " P " flashes on the DECK I side counter, and adjustment of playback level is started automatically.
 - When correct adjustment has been completed, the mechanism stops for about 5 seconds, and " P " lights on the DECK I side counter.
 - At this time, flashing of " P " or " ERR " indicate adjustment error.
- ↓
- ⑤ When the PLAY key (DECK II) is pressed, adjustment of playback level is started automatically same as ④.

CT-W806DR, CT-07D

6.2.2 Recording Section

(1). Bias Oscillator Adjustment

No.	Mode	Input Signal and Test Tape	Adjustment Location		Measurement Location	Adjustment Value	Remarks
1	REC	Load the STD-611 test tape with no input signal.	DECK I	L1401	TP 11	107 kHz \pm 0.3 kHz	If the adjustment value on the left cannot be obtained values within 107kHz ⁺² _{-2.3} kHz are also satisfactory.
			DECK II	L401	TP 21		

(2). Recording Bias and Recording Level Automatic Adjustment

① Press the test mode, set both TIME/COUNT and RESET keys of DECK I together with the PAUSE key of DECK II all together.

↓

② When the BLE key (DECK II) is pressed, enter the Automatic adjustment mode.

↓

③ Set the test tape STD-632.

↓

④ When the REC key (DECK I) is pressed, " B " flashes on the counter, and adjustment of bias and recording level is started automatically.

- When correct adjustment has been completed, the mechanism stops for about 50 seconds, and " PBR " lights on the DECK I side counter to indicate that all adjustments have been completed.
- At this time, flashing of " B " indicates a bias adjustment error, while flashing of " R " indicates a recording level error.

↓

④ When the REC key (DECK II) is pressed, adjustment of bias and recording level is started automatically same as ④.

↓

⑤ With correct adjustment, " PBR " lights on the counter (DECK I and DECK II). When the both sides of the counter does not light, no adjustment value is written into the memory.

↓

⑦ When the STOP key is pressed, the automatic adjustment mode is cancelled. At this time, the counter display becomes " 10 " on the DECK I side and " TUNE " on the DECK II side.



FL Display Example

Adjustment NG: The following are possible reasons.

- No recording
- No adjustment tape. Near the tape end.
- Tape is extremely damaged.
- Circuit trouble (defective contact etc.)

Note: For repeat adjustment, press the STOP key (DECK I or DECK II) to leave automatic adjustment mode, and then start again.

MAIN UNIT

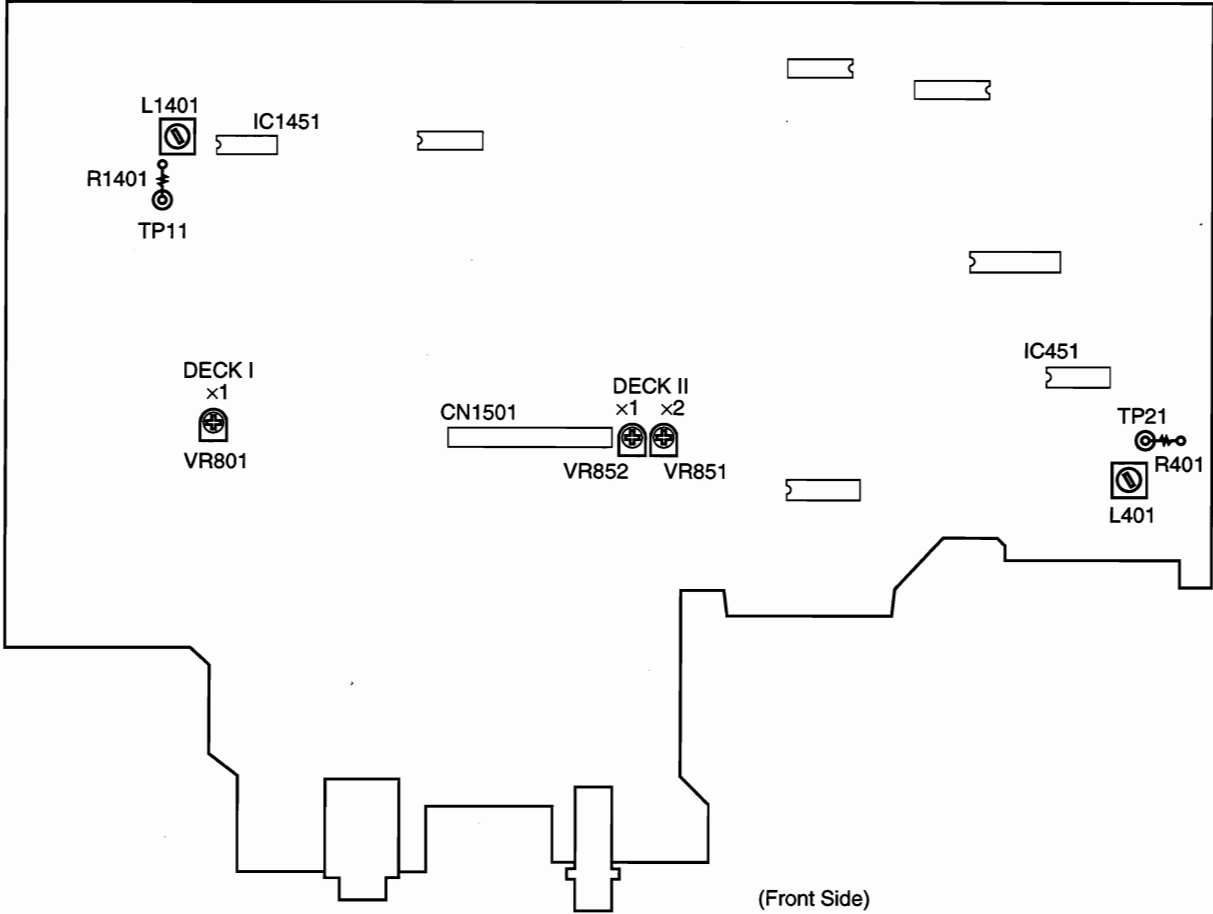


Fig. 6-4 Adjustment Points and Measurement Points

7. GENERAL INFORMATION

7.1 PARTS

7.1.1 IC

■ AK7712-VQ (IC511: CORE UNIT)

● DSP

● Pin Function

- The information shown in the list is basic information and may not correspond exactly to that shown in the schematic diagrams.

No.	Name	I/O	Description
1	NC	—	
2			
3	TSTI1	I	Test input pin 1
4	OPCL	I	ADC, DAC connection selection pin. "L": Connection "H": Disconnection
5	$\overline{\text{PDAD}}$	I	AD reset control pin
6	$\overline{\text{PDDA}}$	I	DA reset control pin
7	$\overline{\text{PD}}$	I	Power-down pin
8	$\overline{\text{RST}}$	I	Reset input pin ("L": Reset)
9	TSTIO1	I/O	Test I/O pin 1
10	TSTIO2	I/O	Test I/O pin 2
11	TSTIO3	I/O	Test I/O pin 3
12	DVB	—	Digital circuit board power supply pin
13	SDIN2	I	Serial data input pin 2. (OPCL: "H") Correspondence to left-justified 16, 20 bits
14	SDAD	O	Serial data output pin 2. (OPCL: "H") Correspondence to left-justified 16, 20 bits. Common setting with SDIN2.
15	SDOUT2	O	Serial data output pin 3. (OPCL: "H") Correspondence to left-justified 16, 20 bits
16	SDDA	I	Serial data input pin 3. (OPCL: "H") Correspondence to left-justified 16, 20 bits. Common setting with SDOUT2.
17	SDDA2	I	Serial data input pin 4. (OPCL: "H") Correspondence to left-justified 20 bits (BCLK: 16 bits at the time of 32 fs)
18	SDOUT3	O	Serial data output pin 4. (OPCL: "H") Correspondence to left-justified 20 bits (BCLK: 16 bits at the time of 32 fs)
19	SDOUT1	O	Serial data output pin 1. Correspondence to left-justified 16, 24 bits/ right-justified 16 bits
20	SDIN1	I	Serial data input pin 1. Correspondence to left-justified 16, 24 bits/ right-justified 16 bits

No.	Name	I/O	Description
21	SMODE	I	Interface clock selection pin. I/O setting for each clock pin of LRCK and BCLK "L": Slave mode (22, 23 input) "H": Master mode (output)
22	BCLK	I/O	Clock I/O pin for serial data input
23	LRCK	I/O	L/R channel identification signal I/O pin
24	CLKO	O	Master clock output pin
25	DVDD	—	Digital power supply pin
26	DVSS	—	Digital ground pin
27	NC	—	
28	XTI	I	Crystal oscillator input pin
29	XTO	O	Crystal oscillator output pin
30	TSTI2	I	Test input pin 2
31	$\overline{\text{CS}}$	I	Chip select input pin for microcomputer interface
32	$\overline{\text{WRQ}}$	I	Command resistor reset input pin for microcomputer interface
33	DVSS	—	Digital ground pin
34	DVDD	—	Digital power supply pin
35	SCLK	I	Clock input pin for serial data input for microcomputer interface
36	SI	I	Serial data input pin for microcomputer interface
37	WRDY	O	Data write ready output pin for microcomputer interface. Hi-2 status with CS = "H".
38	DRDY	O	Output data ready output pin for microcomputer interface
39	SO	O	Serial data output pin for microcomputer interface. Hi-2 status with CS = "H".
40	$\overline{\text{CASRF}}$	O	External DRAM CAS/dummy SRAM refresh pin
41	$\overline{\text{RASCE}}$	O	External DRAM RAS/dummy SRAM-CE pin

No.	Name	I/O	Description
42	\overline{WE}	O	External SRAM/dummy SRAM/DRAM write signal output pin
43 50	A16 A9		External RAM address pin (A16 becomes theMSB.)
51	DVSS	—	Digital ground pin
52	DVDD	—	Digital power supply pin
53 61	A8 A0	O	External RAM address pin (A0 becomes the LSB.)
62	\overline{OC}	O	External SRAM/dummy SRAM/DRAM output enable signal output pin
63 70	IO0 IO7	I/O	Data I/O pin for external RAM
71	DVSS	—	Digital ground pin
72	DVDD	—	Digital power supply pin
73	DZFSET	I	Zero point detection set pin. "H": DZF output "L": DZF output → "L"
74	DVSS	—	Digital ground pin
75	DVDD	—	Digital power supply pin
76 77	DVB	—	Digital circuit board power supply pin
78	NC	—	
79	DZF2	O	Zero input detection pin (for DAC 2)
80	DZF1	O	Zero input detection pin (for DAC 1)
81	AVB	—	Analog circuit board power supply pin
82	AOUTR2	O	DAC2 R ch analog output pin 2
83	AOUTL2	O	DAC2 L ch analog output pin 2
84	AOUTR1	O	DAC1 R ch analog output pin 1
85	AOUTL1	O	DAC1 L ch analog output pin 1
86	VRDAL	I	DAC section reference voltage input pin. Normally connected to analog ground.
87	AVSS	—	Analog ground pin
88	AVDD	—	Analog power supply pin

No.	Name	I/O	Description
89	VRDAH	I	DAC section reference voltage input pin. Normally connected to AVDD2, capacitors of 0.1 μF and 10 μF are connected between this and VRDAL.
90	NC	—	
91	AINR-	I	ADC R ch analog reversion input pin
92	AINR+	I/O	ADC R ch analog nonreversion input pin
93	AINL-	I	ADC L ch analog reversion input pin
94	AINL+	I	ADC L ch analog nonreversion input pin
95	VCOM	O	Common voltage pin. Connected by capacitors of 0.1 μF and 10 μF to analog ground.
96	VRADL	I	ADC section reference voltage input. Normally connected to analog ground.
97	AVSS	—	Analog ground pin
98	AVDD	—	Analog power supply pin
99	VRADH	I	ADC section reference voltage input pin. Normally connected to AVDD1, capacitors of 0.1 μF and 10 μF are connected between this and VRADL.
100	AVB	—	Analog circuit board power supply pin

CT-W806DR, CT-07D

■ PD5390C (IC501: MAIN UNIT)

● System Control Micro-computer

● Pin Function

No.	Name	I/O	Description
1	CLKD	O	Expander DAC IC CLK terminal
2	OUTD	O	Expander DAC IC DATA terminal
3	2CLOSE	O	2 SIDE Power EJECT CLOSE terminal
4	2OPEN	O	2 SIDE Power EJECT OPEN terminal
5	1CLOSE	O	1 SIDE Power EJECT CLOSE terminal
6	1OPEN	O	1 SIDE Power EJECT OPEN terminal
7	2×1	O	2 SIDE NORMAL/HI-SPEED CONTROL
8	SCLK	O	DSP CLK terminal
9	SO	O	DSP DATA output terminal
10	SI	I	DSP DATA input terminal
11	CMOD	O	DSP Master clock selection terminal
12	\overline{CS}	O	DSP Chip select terminal
13	\overline{RQ}	O	DSP Request terminal
14	\overline{PD}	O	DSP Power-down terminal
15	\overline{RST}	O	DSP Reset terminal
16	NC	—	Open
17	NC	—	
18	1BIAS	O	1SIDE BIAS ON when "H"
19	DOLO	O	Dolby NR OFF when "H"
20	DOLB	O	Dolby B when "H"
21	XL12	I/O	XD BIAS CONTROL terminal (1SIDE Lch)
22	XL11		
23	XL10		
24	XR12	I/O	XD BIAS CONTROL terminal (1SIDE Rch)
25	XR11		
26	XR10		
27	XL22	I/O	XD BIAS CONTROL terminal (2SIDE Lch)
28	XL21		
29	XL20		
30	XR22	I/O	XD BIAS CONTROL terminal (2SIDE Rch)
31	XR21		
32	XR20		
33	\overline{REMT}	I	Remote control signal input terminal

No.	Name	I/O	Description
34	POFF	I	Power off
35	\overline{REST}	I	Reset
36	XCIN	I	
37	XCOU	—	Open
38	XIN	I	Main Clock (8.4 MHz)
39	XOUT	O	
40	Vss	I	GND
41	$\overline{1RMT}$	O	1SIDE REC MUTE
42	$\overline{2RMT}$	O	2SIDE REC MUTE
43	DEC	O	Switching DECODE/ENCODE DECODE: "H"
44	PBNR	O	"H" when Normal tape playback
45	KEY3	I	KEY 3 input
46	KEY2	I	KEY 2 input
47	KEY1	I	KEY 1 input
48	KEY0	I	KEY 0 input
49	ASE1	O	Switching Analog SW
50	ASE0	O	
51	2BIAS	O	2 SIDE BIAS ON when "H"
52	\overline{LMUT}	O	LINE MUTE
53	2PB	O	2 SIDE PLAY when "H"
54	1×1	O	1 SIDE NORMAL/HI-SPEED CONTROL
55	$\overline{2METL}$	I/O	2 SIDE BIAS Voltage control Metal: "H"
56	$\overline{2METR}$	I/O	
57 66	G10 G1	O	FL Grid/Scan output terminal
67 80	P14 P1	O	FL Segment/Scan output terminal
81	2NOR	O	2 SIDE BIAS Voltage control Normal: "H"
82	LDS	O	DIGITAL LED control output terminal
83	LSTB	O	STANDBY LED control output terminal
84	TOCD	O	CD SYNCHRO output terminal
85	2CPM	O	2 SIDE Capstan Motor output terminal
86	2SOL	O	2 SIDE Solenoid control output terminal

No.	Name	I/O	Description
87	1CPM	O	1 SIDE Capstan Motor output terminal
88	1SOL	O	1 SIDE Solenoid control output terminal
89	VEE	—	Power supply terminal for built-in pull-down resistor.
90	2SEN	I	2SIDE Sensing input terminal
91	Vcc	I	+5V Power supply
92	1SEN	I	1 SIDE Sensing input terminal
93	AVss	—	GND Power supply terminal for built-in A/D converter
94	Vcc	—	
95	SW2	I	Input terminal for Version detection

No.	Name	I/O	Description
96	SW1	I	Input terminal for Mecha SW detection
97	SW0	I	
98	CSM	O	Memory IC Chip select output terminal
99	DIM	I	Memory IC Serial data input terminal
100	DATD	O	Memory IC Serial data output terminal Expander DAC IC Data output terminal

■ AK4310-VM (IC1302: CORE UNIT)

- D/A Converter
- Pin Function

No.	Name	I/O	Description
1	TST1	I	Test pin (pull-down pin) Open or connected to "L".
2	DVDD	—	Digital power supply pin
3	DVss	—	Digital ground pin
4	PD	I	Power-down pin. When this pin is made "L", the filter and the modulator are reset and power-down status is reached.
5	RST	I	Reset pin
6	MCLK	I	Master clock pin. Input of the external CMOS clock.
7	CKS	I	Clock selection pin. The frequency of the clock entered to the CLK pin is selected. "H": CLK = 384 fs
8	BICK	I	Serial bit clock pin. Clock for latching of serial data.
9	SDATA	I	Serial data input pin. 16 bit serial data are entered from the MSB as 2's complement.
10	LRCK	I	L/R clock pin. The channel of the entered serial data is decided.
11 14	NC	—	

No.	Name	I/O	Description
15	AOUTR	O	R ch analog output pin
16	AOUTL	O	L ch analog output pin
17	VCOM	O	Common voltage pin, AVDD/2. Connected to AVSS via a 10 μF electrolytic capacitor and a 0.1 μF ceramic capacitor.
18	AVDD	—	Analog power supply pin
19	AVss	—	Analog ground pin
20 21	NC	—	
22	VREFH	I	"H" reference voltage input pin. The difference between the input voltages to VREFH and VREFL decides the full scale of the D/A output. Normally, VREFH is connected to AVDD and VREFL is connected to AVSS, And both pins are connected by a 0.1 μF ceramic capacitor close by.
23	VREFL	I	"L" reference voltage input pin
24	DZF	O	Zero input detection pin. The data entered to the SDATA pin are repeated 8192 times for both channels, and the signal becomes "H" at the time of zero.

CT-W806DR, CT-07D

■ AK5330-VM (IC1251: CORE UNIT)

● A/D Converter

● Pin Function

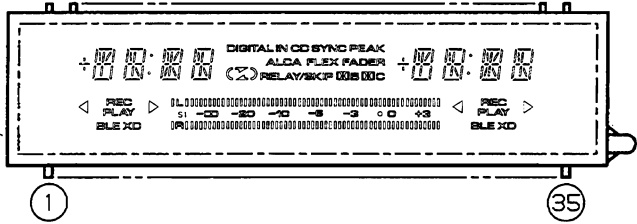
No.	Name	I/O	Description
1	AINR	I	R ch analog input pin
2	ZEROR	I	R ch zero input pin
3	AINL	I	L ch analog input pin
4	ZEROL	I	L ch zero input pin
5	VREFR	O	R ch reference voltage output pin, 2.5 V. Connected to AGND via an electrolytic capacitor of 10 μ F or less and a ceramic capacitor of 0.1 μ F.
6	VREFL	O	L ch reference voltage output pin, 2.5 V. Connected to AGND via an electrolytic capacitor of 10 μ F or less and a ceramic capacitor of 0.1 μ F.
7	VCOM	O	Common voltage output pin, 2.5 V. Connected to AGND via an electrolytic capacitor of 10 μ F or less and a ceramic capacitor of 0.1 μ F.
8	AGND	—	Analog ground pin
9	VA	—	Analog power supply pin, +5 V
10	VB	—	Silicon circuit board power supply pin, +5 V
11	TST2	I/O	Test pin (pull-down pin). Please open.
12	TST3	I/O	
13	VD	—	Digital section power supply pin, +5 V
14	DGND	—	Digital section ground pin

No.	Name	I/O	Description
15	TST1	I	Test pin (pull-down pin). Open or connect to DGND.
16	CMODE	I	Master clock selection pin. "H": MCLK = 384 fs
17	PD	I	Power-down pin. Power-down mode is reached at the time of "H". Offset calibration starts from "↓".
18	MCLK	I	Master clock input pin
19	SCLK	I	Serial data clock pin. A/D data 1 bit output by "↓" of SCLK, and normally a clock of 32 fs to 64 fs is entered continuously.
20	L/R	I	L/R channel clock pin. The fs clock is entered.
21	SDT0	O	Serial data output pin. The data are put out MSB first as 2's complement. "L" at the time of power down (PD = "H").
22	DIF0	I	Serial interface format pin. Corresponding to mode 8.
23	DIF1		
24	DIF2		

7.1.2 DISPLAY

■ RAW1157 (V1501: SUBB UNIT)

- FL Tube
- Pin Assignment

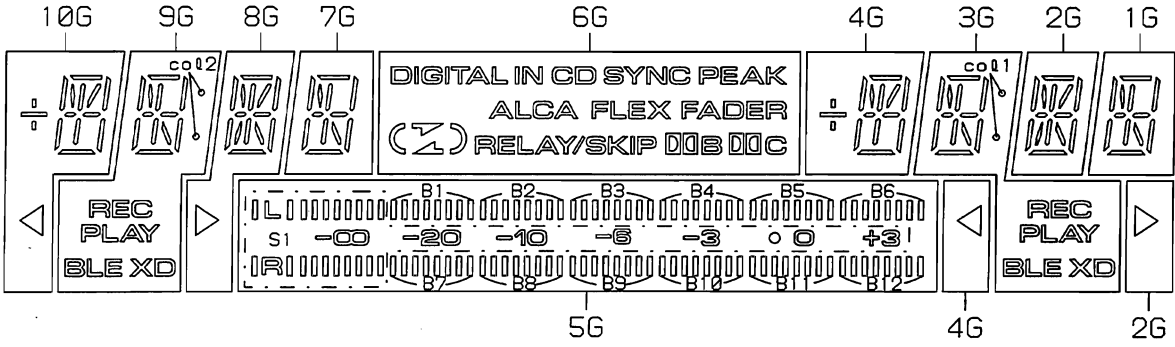


NOTE 1) F1, F2 - Filament
 2) NP ---- No pin
 3) NC ---- No connection
 4) DL ---- Datum Line
 5) 1G~10G-- Grid

● Pin Connection

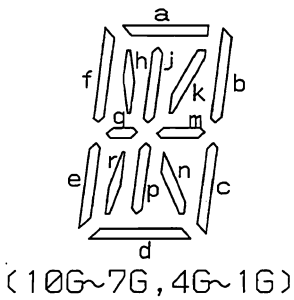
PIN NO.	1	2	3	4	5	6	7	8	9	0	1	1	1	1	1	1	1	1	1	2	2	2	2	2	2	2	2	3	3	3	3	3			
CONNECTION	F	F	N	N	P	P	P	P	P	P	N	P	P	P	P	P	P	P	N	N	1	2	3	4	5	6	7	8	9	0	1	N	N	F	F
	1	1	PC	1	2	3	4	5	6	7	C	8	9	0	1	2	3	4	C	C	G	G	G	G	G	G	G	G	G	C	P	2	2	2	2

● Grid Assignment



● Anode Connection

	10G	9G	8G	7G	6G	5G	4G	3G	2G	1G
P1	a	a	a	a	DIGITAL	B1	a	a	a	a
P2	b	b	b	b	IN	B2	b	b	b	b
P3	f	f	f	f	CD	B3	f	f	f	f
P4	g	g, m	g	g	SYNC	B4	g	g, m	g	g
P5	c	c	c	c	PEAK	B5	c	c	c	c
P6	e	e	e	e	FADER	B6	e	e	e	e
P7	d	d	d	d	FLEX	S1	d	d	d	d
P8	j, p	j, p	j, p	j, p	ALCA	-	j, p	j, p	j, p	j, p
P9	m	col2	m	m	DOB	B7	m	col1	m	m
P10	h	h, n	h	h	DDC	B8	h	h, n	h	h
P11	k	REC	k	-	(B9	k	REC	k	-
P12	l	PLAY	n	n)	B10	l	PLAY	n	n
P13	o	BLE	r	-)	B11	o	BLE	r	-
P14	<	XD	>	-	RELAY/SKIP	B12	<	XD	>	-



CT-W806DR, CT-07D

7.2 TEST MODE

7.2.1 Entering the Test Mode

While both mechanisms are stop, press the TIME/COUNT, PAUSE keys of DECK I and RESET key of DECK II together to enter the test mode. (Refer to Fig. 1)

7.2.2 Exiting the Test Mode

- Press the RESET key of DECK I.
- Press the STANDBY key.
- Turn off the power.

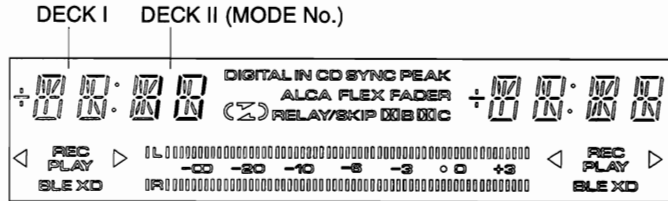
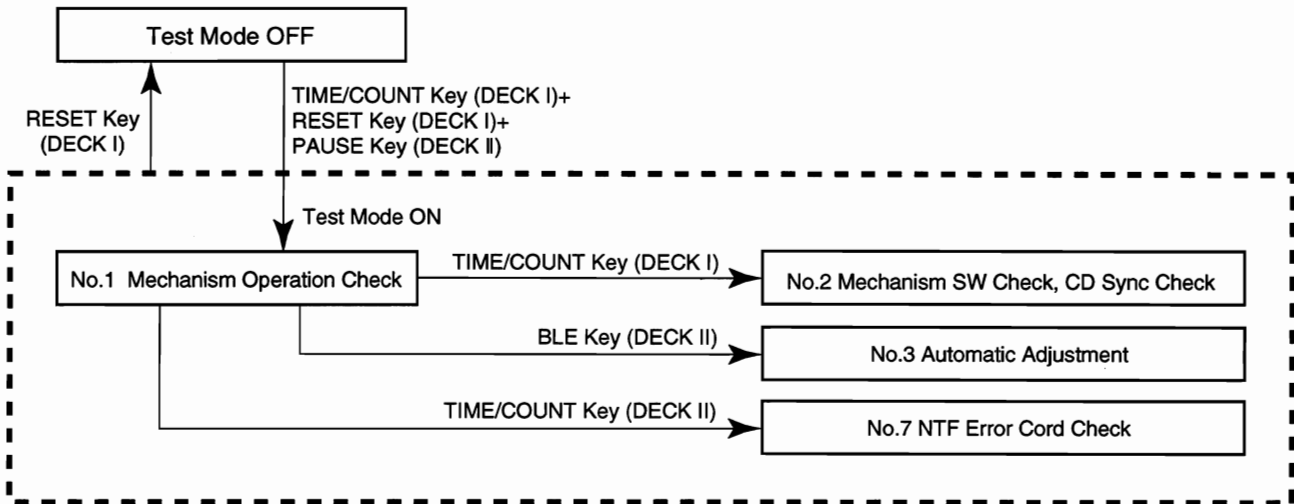


Fig. 1 FL Display Example

7.2.3 Shifting to Test Mode State



* During the test mode, pressing the STOP key (DECK I or DECKII) will set test mode No. 1.

7.2.4 Main Test Mode Items

- Test mode No.1 Mechanism Operation Check
- Test mode No.2 Mechanism SW Check, CD Sync Check
- Test mode No.3 Automatic Adjustment
- Test mode No.7 NTF Error Code Check

7.2.5 Test Mode No. 1 (Mechanism Operation Check)

■ Operations specifications

DECK I Display	DECK II Display	Input Key	Adjustment and Check
10	(TUNE)	STOP FWD REV FF REW REC PAUSE MUTE COPY MODE COPY START	<ul style="list-style-type: none"> ◆ The mechanism operates without the half in this mode. ◆ Test speed adjustment <ul style="list-style-type: none"> • During PLAY (except in assisting), when FF or REW key is pressed, ×2 speed PLAY is set. • During ×2 speed PLAY, when FWD or REV key is pressed, constant speed PLAY is set. ◆ Auto stop check <ul style="list-style-type: none"> • Sets RELAY ON forcibly. • However no relay during REC. • Even at tape end directly after PLAY, the auto stop time is 1 second. (Normally 4 seconds) • Reverse operations are normally performed.

When automatic adjustment has been completed, "TUNE" lights on the DECK II counter.

7.2.6 Test Mode No. 2 (Mechanism SW Check, CD Sync Check)

■ Entering the Mechanism SW check mode

Press the TIME/COUNT key (DECK I).

■ Exiting the Mechanism SW check mode

When the STOP key (DECK I or DECK II) is pressed, test mode No. 1 is set.

■ Operations specifications

DECK I Display	DECK II Display	Input Key	Line Mute	REC Mute	Bias	Adjustment and Check
20			ON	ON	OFF	<ul style="list-style-type: none"> ◆ SW check <ul style="list-style-type: none"> • When there is a half, each counter shows "H" at the second digit from the left. • Accidental erasure detection check FWD recordable: "▶" lights up REV recordable: "◀" lights up • Tape type check When there is a tape, display is made at the first digit from the left on the counter. NORMAL TAPE : "n" CrO₂ TAPE : "C" METAL TAPE : "M" • Door open/close check When the side 1 door is open/close, display is made at the 3rd digit from the left on the side 2 counter. When the side 2 door is open/close, display is made at the 4th digit from the left on the side 2 counter. OPEN : "O" CLOSE : "C" • Timer SW check (CT-W806DR only) TIMER REC : REC Indicator (DECK II) OFF : TIMER PLAY : PLAY Indicator (DECK II)
		CD SYNC				<ul style="list-style-type: none"> ◆ CD sync check When the cord whose input and output are short-circuited is connected, and the CD SYNCHRO key is pressed, "CD SYNC" display lights up.

7.2.7 Test Mode No. 3 (Automatic Adjustment)

For details, refer to "6. ADJUSTMENT".

DECK I Display	DECK II Display	Input Key	Adjustment and Check
PBR	PBR	STOP FWD REV REC	<ol style="list-style-type: none"> ① Press the BLE key to enter the automatic adjustment mode. ② The individual adjustment values will be cleared when the STOP key (DECK I), the PAUSE key (DECK II), and the MUTE key (DECK II) are pressed together. ("PER" will flash.) ③ Execute adjustment of playback level. ④ Execute adjustment of recording bias and recording level. ⑤ When all adjustments have been completed, "PBR" lights on the DECK I and DECK II counter. ⑥ When the STOP key (DECK I or DECK II) is pressed, test mode No. 1 is set.

CT-W806DR, CT-07D

7.2.8 Test Mode No. 7 (NTF Error Code Check Mode)

■ Entering the NTF error code check mode

Press the TIME/COUNT key of DECK II.

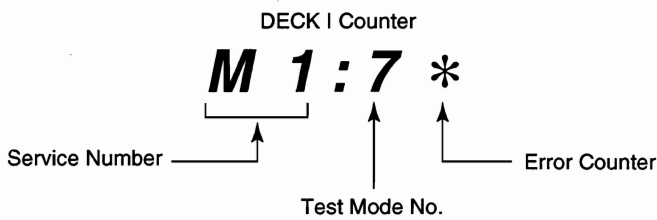
When pressed again, the counter changes as follows.

1 ⇒ 2 ⇒ 3 ⇒ 1

■ Exiting the NTF error code check mode

- When the STOP key (DECK I) is pressed, test mode No. 1 is set.
- When repair has been completed, reset the recorded error. (Press the STOP key, and press the TIME/COUNT key (DECK I) and the MUTE key (DECK II) immediately after entry into test mode.)

■ NTF error code check mode display



■ Operations specifications

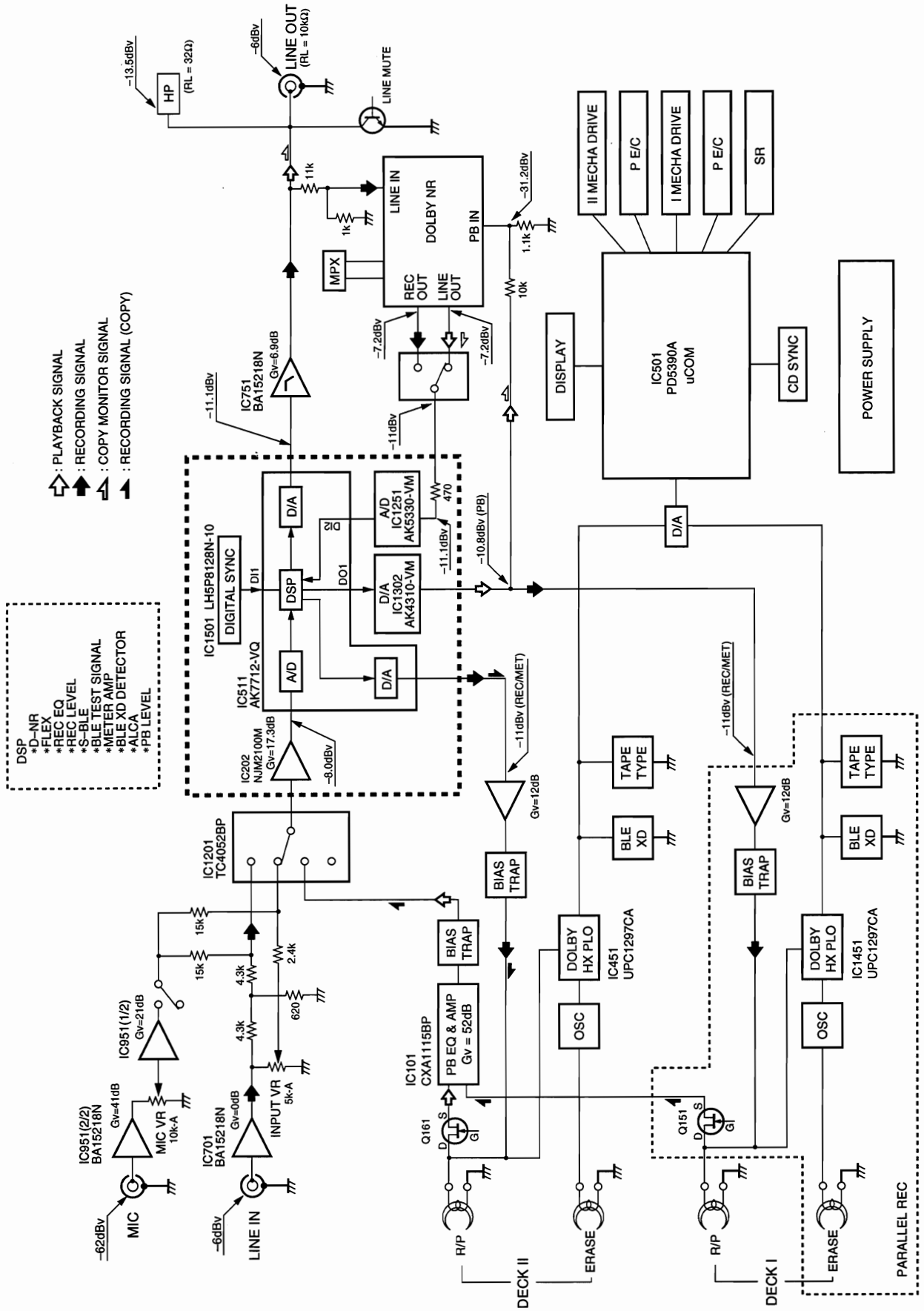
Error Location	Service No.	State of Unit	Cause
BLE	B1 (DECK II) B3 (DECK I)	BLE Adjustment Error	<ul style="list-style-type: none"> • The take-up side reel table stops during BLE operations. • The sensor at the reel table is faulty. • Tape end is set.
	B2 (DECK II) B4 (DECK I)	BLE Adjustment Error	<ul style="list-style-type: none"> • The signals were not recorded during BLE operations. • The Internal oscillator is not oscillation.
Mechanism	M3	DECK I is locked	<ul style="list-style-type: none"> • The mechanism and the half are engaged in DECK I.
	M4	DECK II is locked	<ul style="list-style-type: none"> • The mechanism and the half are engaged in DECK II.
Cassette Door	L1	DECK I Door Loading	<ul style="list-style-type: none"> • Closing has been tried with the tape inserted upside down. • Complete opening is not possible because an obstacle has been hit.
	L2	DECK II Door Loading	

* B3 and B4 on the DECK I side and B1 and B2 on the DECK II side light for the error No. of BLE errors.

■ Resetting the error code

To reset, press the TIME/COUNT key of DECK I and MUTE key of DECK II together.

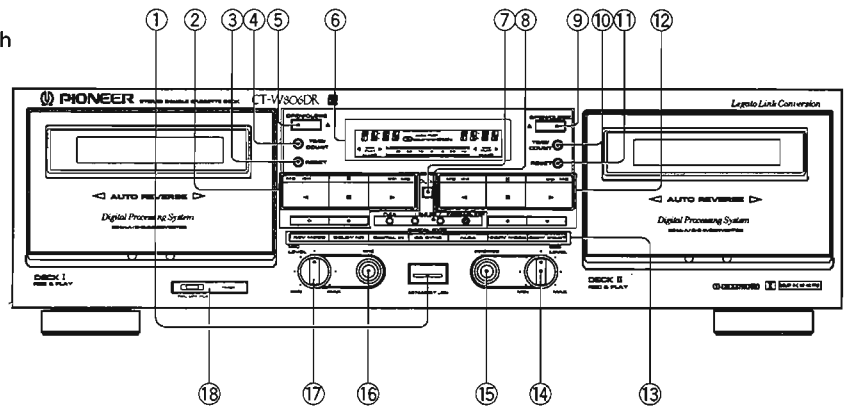
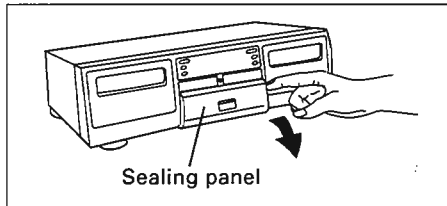
7.3 BLOCK DIAGRAM



8. PANEL FACILITIES AND SPECIFICATIONS

■ PANEL FACILITIES

- The illustration shows the condition in which the sealing panel is open.



① STANDBY/ON switch

The STANDBY/ON switch activates the secondary transformer only. Even when the switch is in the STANDBY position, there will be a power flow to the deck's circuits as long as the power cord is connected to a power outlet. When the STANDBY/ON switch is left ON, standby mode is controlled by the connected amplifier's System Remote Control (SRC) function. Press the POWER button on the remote control unit to select the standby mode. This mode is displayed as "STBY" on the DECK II counter.

② DECK I operation buttons

- ◀ : Reverse playback
- : Stop
- ▶ : Forward playback
- ◀◀/MS : Fast reverse/music search
- ▶▶/MS : Fast forward/music search
- : Recording mute
- ⏸ : Pause
- : Recording

③ DECK I counter reset button (RESET)

④ DECK I counter mode button (TIME/COUNT)

⑤ DECK I OPEN/CLOSE button (▲)

- If the tape is moving (recording, playback, tape winding, etc.), press the stop (■) button before pressing this button.

NOTE:

If the power is turned off while the tape is moving, the cassette door may remain locked. In this case, turn the power on before pressing the OPEN/CLOSE (▲) button.

⑥ Function display

⑦ Digital indicator

Turns off while the Digital-NR is OFF.

⑧ FLEX button

DECK I/II BLE XD button

PARALLEL REC button

⑨ DECK II OPEN/CLOSE button (▲)

- If the tape is moving (recording, playback, tape winding, etc.), press the stop (■) button before pressing this button.

NOTE:

If the power is turned off while the tape is moving, the cassette door may remain locked. In this case, turn the power on before pressing the OPEN/CLOSE (▲) button.

⑩ DECK II counter mode button (TIME/COUNT)

⑪ DECK II counter reset button (RESET)

⑫ DECK II operation buttons

- ◀ : Reverse playback
- : Stop
- ▶ : Forward playback
- ◀◀/MS : Fast reverse/music search
- ▶▶/MS : Fast forward/music search
- : Recording mute
- ⏸ : Pause
- : Recording

⑬ REV MODE button

DOLBY* NR button (OFF/B/C)

*

- Dolby noise reduction and HX Pro headroom extension manufactured under license from Dolby Laboratories Licensing Corporation. HX Pro originated by Bang & Olufsen.
- "DOLBY", the double-D symbol and "HX PRO" are trademarks of Dolby Laboratories Licensing Corporation.

DIGITAL IN button

CD-DECK SYNCHRO recording button (CD SYNC)

ALCA button

COPY MODE button

TDNS : TDNS copy (Normal speed copy).

NOR : Normal speed copy.

HI : High speed copy.

COPY START button

⑭ Recording level control (REC LEVEL)

⑮ Headphones jack (PHONES)

⑯ Microphone jack (MIC)

⑰ MIC LEVEL control

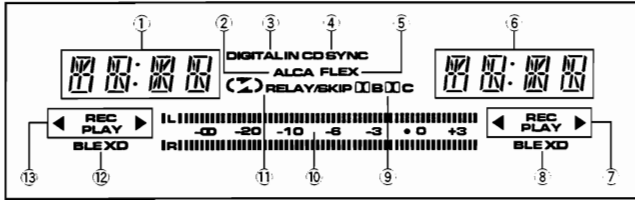
⑱ TIMER switch (TIMER REC/OFF/PLAY) (CT-W806DR only)

REC : Set to this position to perform timer recording.

OFF : Set to this position under ordinary conditions (when not using the timer or repeat functions).

PLAY : Set to this position to perform timer playback. When the switch is set to this position during normal playback, repeat playback of a single tape can be performed.

■ FUNCTION DISPLAY




- ① **DECK I counter indicator**
Normally the tape counter or time counter is displayed.
It flashes for 4 seconds after turning the power on.
- ② **ALCA SYSTEM indicator**
Lights when the ALCA system is used.
- ③ **DIGITAL IN indicator**
This indicator light when the DIGITAL IN button is pressed.
- ④ **CD-DECK SYNCHRO indicator (CD SYNC)**
This indicator lights steadily when the CD SYNC button is pressed and the operation starts.
- ⑤ **FLEX indicator**
This indicator lights when the FLEX button is pressed.
- ⑥ **DECK II counter indicator**
Normally the tape counter or time counter is displayed.
It flashes for 4 seconds after turning the power on.
- ⑦ **DECK II tape transport mode indicators**
- ⑧ **DECK II AUTO BLE XD indicator**
- ⑨ **DOLBY NR B/C indicator**
- ⑩ **Level meter**
Holds peak for about 1.3 seconds.
The "●" mark beside the 0 dB mark indicates the Dolby NR system standard level.
- ⑪ **Reverse mode indicator**
- ⑫ **DECK I AUTO BLE XD indicator**
- ⑬ **DECK I tape transport mode indicators**

CT-W806DR, CT-07D


■ SPECIFICATIONS

System	4-track, 2-channel stereo
Heads	"Hard Permalloy" recording/playback head x 2 "Ferrite" erasing head x 2
Motor	DC servo motor x 2 Loading motor x 2
Wow and Flutter	0.09% (WRMS) ±0.19% (DIN)
Fast Winding Time	Approximately 100 seconds (C-60 tape)
Frequency Response	
-20 dB recording:	
TYPE IV (Metal) tape	20 to 20,000 Hz
TYPE II (High/CrO ₂) tape	20 to 19,000 Hz
TYPE I (Normal) tape	20 to 18,000 Hz
Signal-to-Noise Ratio	
Dolby NR OFF	More than 57 dB
Signal-to-Noise Ratio (when Digital NR ON)	
Dolby NR B or C-type ON	90 dB
Dolby NR OFF	82 dB (TYPE I tape, 3rd distortion 3%, IEC. DIN AUDIO)
Harmonic Distortion	No more than 0.8% (at -4 dB: 160 nwb/m)
Input (Sensitivity)	
LINE (INPUT)	100 mV (Input impedance 53 kΩ)
Output (Reference level)	
LINE (OUTPUT)	0.5 V (Output impedance 1.9 kΩ)
Headphones	1.33 mW (Load impedance 32 Ω)
Miscellaneous	
Power Requirements	
UK model	AC 230-240 V, 50/60 Hz
European model	AC 220-230 V, 50/60 Hz
Multivoltage model	AC 110/120-127/220/230-240 V (Switchable), 50/60 Hz
US, Canadian model	AC 120 V, 60 Hz
Power Consumption	25 W
Dimensions	420(W) x 125(H) x 250(D) mm
Weight (without package)	4.7kg (10 lb 6 oz)

Subfunctions

- Automatic reverse
- DOLBY HX PRO system
- DOLBY B/C type NR systems
- Music search up to ±15 selections
- Synchronized copy start
- High-speed and normal-speed copy (DECK I → DECK II)
- Relay recording
- Parallel recording
- Relay playback/blank skip
- CD-DECK SYNCHRO recording capability
- Peak level meter with peak-hold function
- Automatic space recording mute
- Automatic tape selector
-  System remote control available
- 2-mode electronic 4-digit twin tape counter
- Headphone jack
- DIGITAL FLEX system (Frequency Level Expander)
- DIGITAL TDNS system (Tape Duplication Noise Suppressor)
- DIGITAL ALCA system (Auto Level Control with tape Analysis)
- DIGITAL SUPER AUTO BLE XD system
- LAST MEMORY
- DIGITAL NR
- Legato Link Conversion
- Power Loading/Eject
- DIGITAL SYNCHRO recording capability
- MIC MIXING
- MPX filter (Interlocks with DOLBY NR)

Accessories

Operating instructions	1
Connection cord with pin plugs	2
 Remote control cord	1
CD-DECK SYNCHRO control cord	1
Optical fiber cable (except for UK and European models)	1

NOTE:

Specifications and design subject to possible modifications without notice, due to improvements.